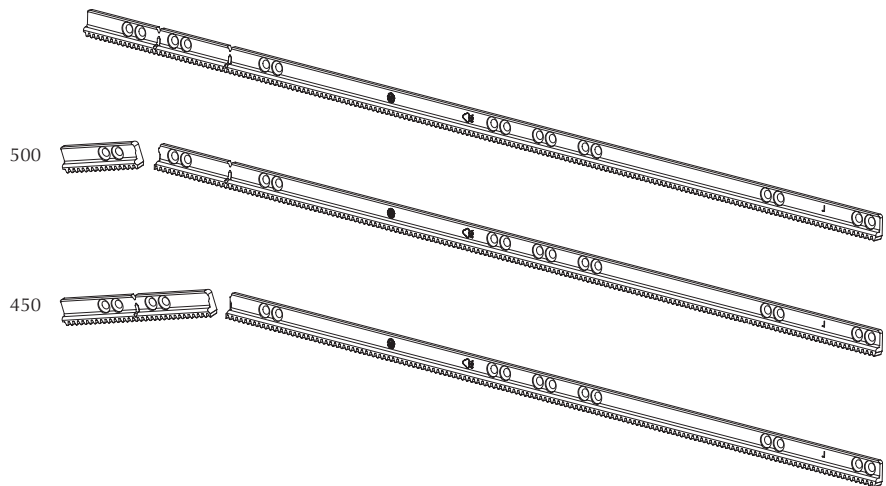
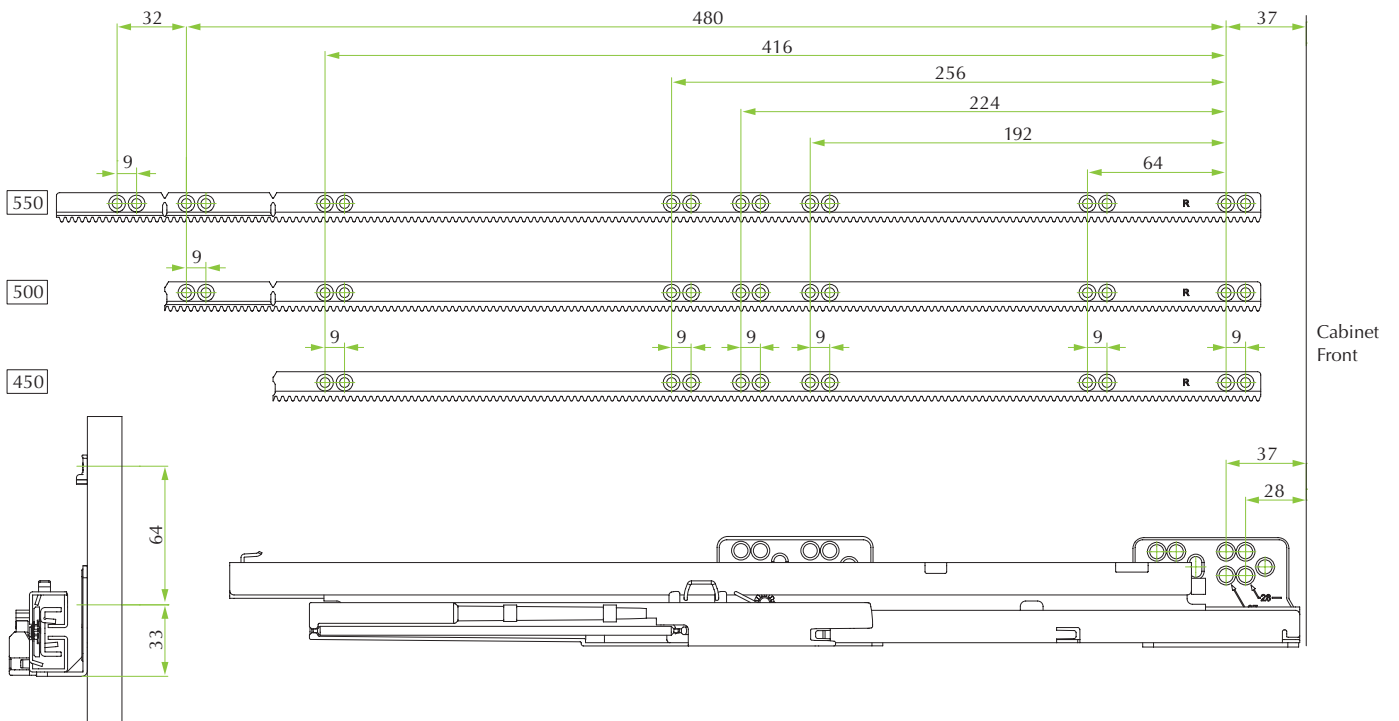


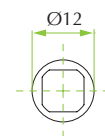
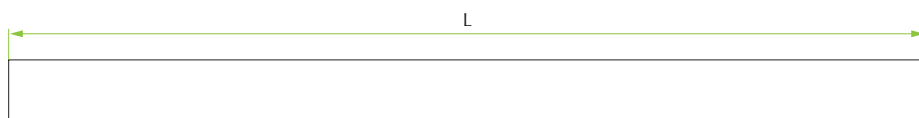
Fixing dimensions & positions



RIGHT SIDE



Stabilizer connecting bar



Drawer width	L
600	515
800	715
900	815
1000	915
1200	1115