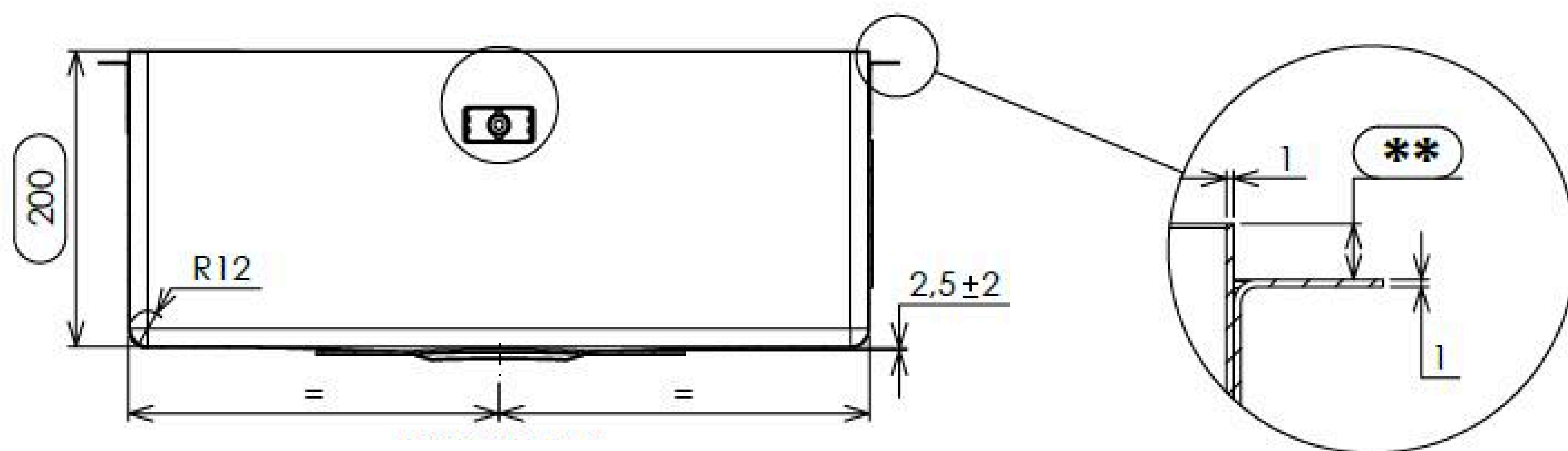


# TASCA

## PRORIM 50



\*\* apt. LA50A = 7,5  
apt. LA5099B = 13

