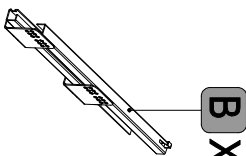
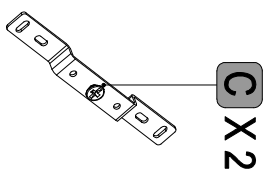


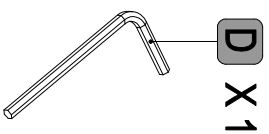
A X 1



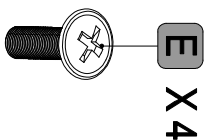
B X 2



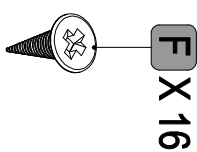
C X 2



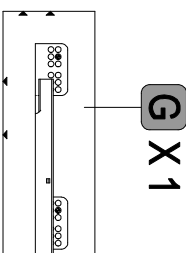
D X 1



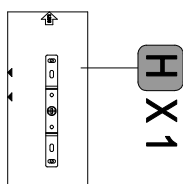
E X 4



F X 16



G X 1



H X 1

!

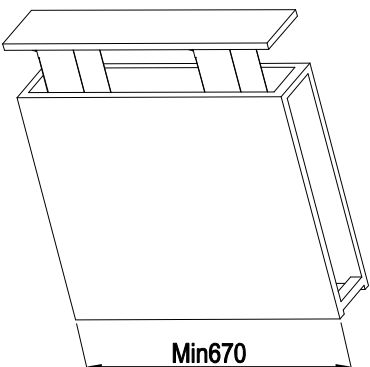
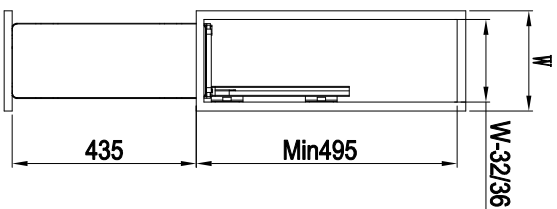
1

mm

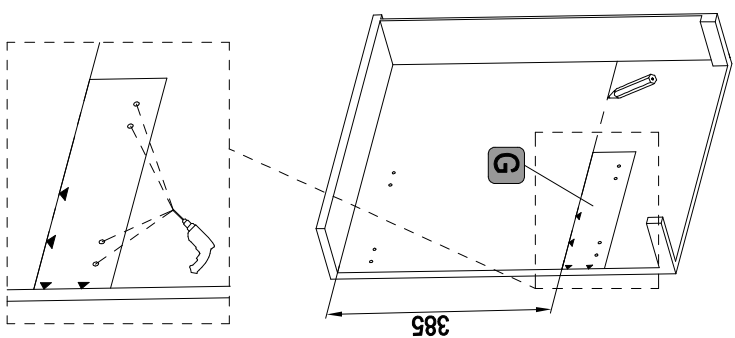
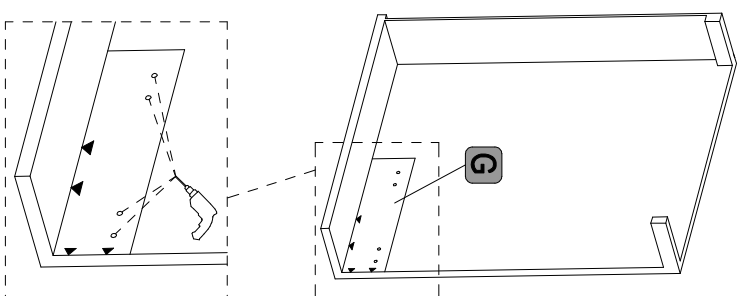
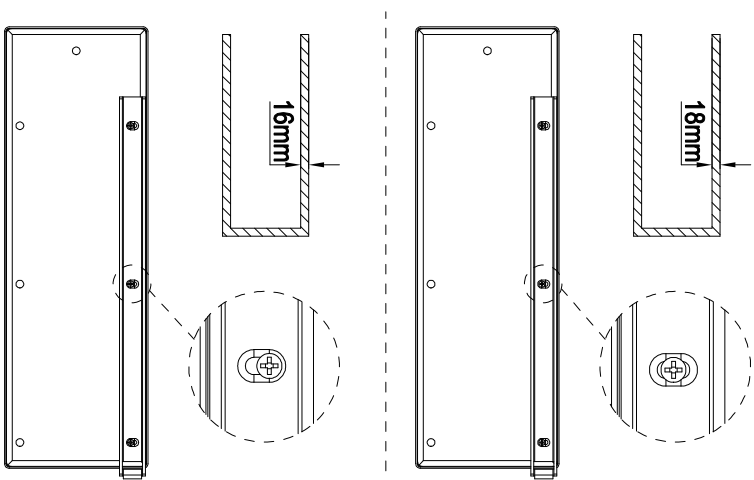
2

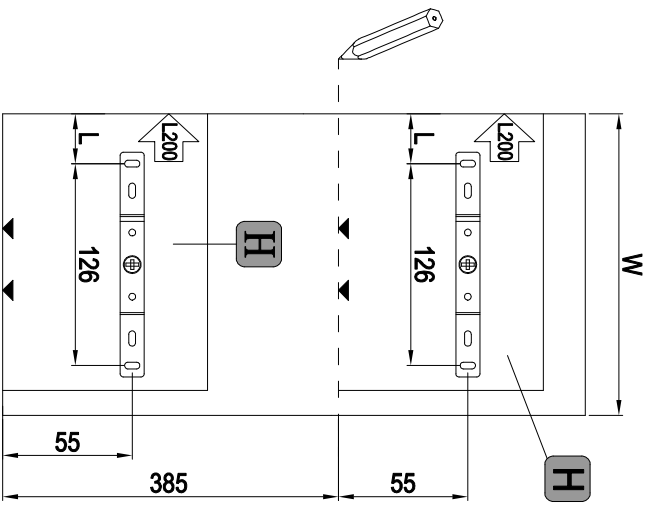
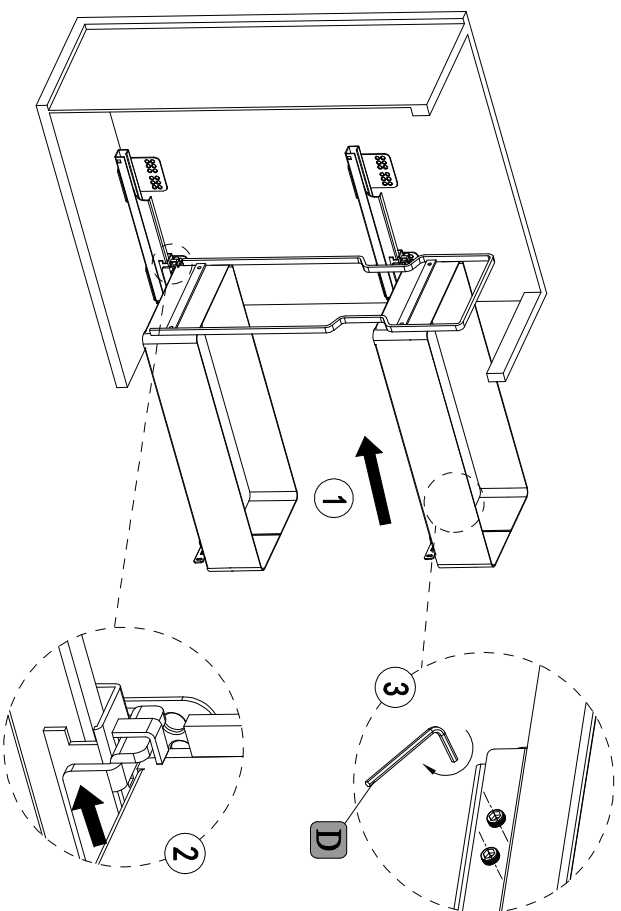
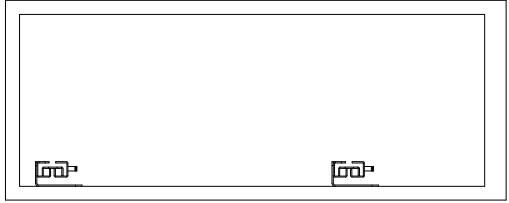
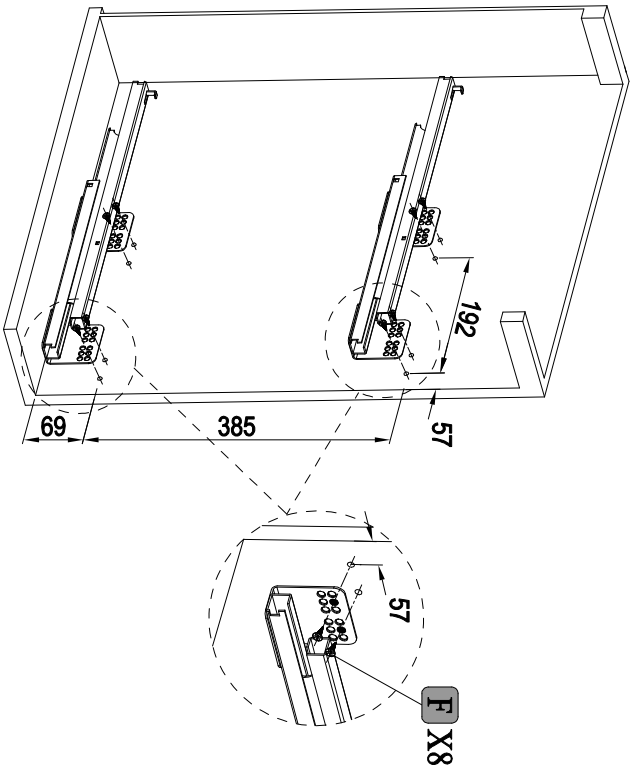


mm



W  
200





W	L
198	36

