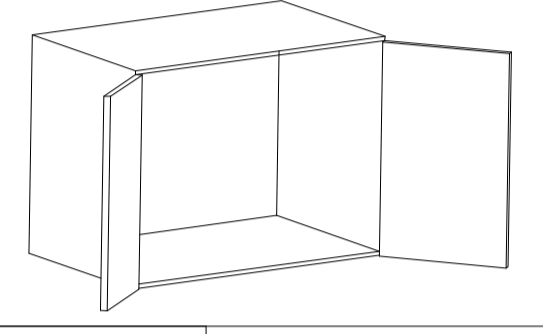
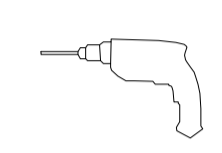
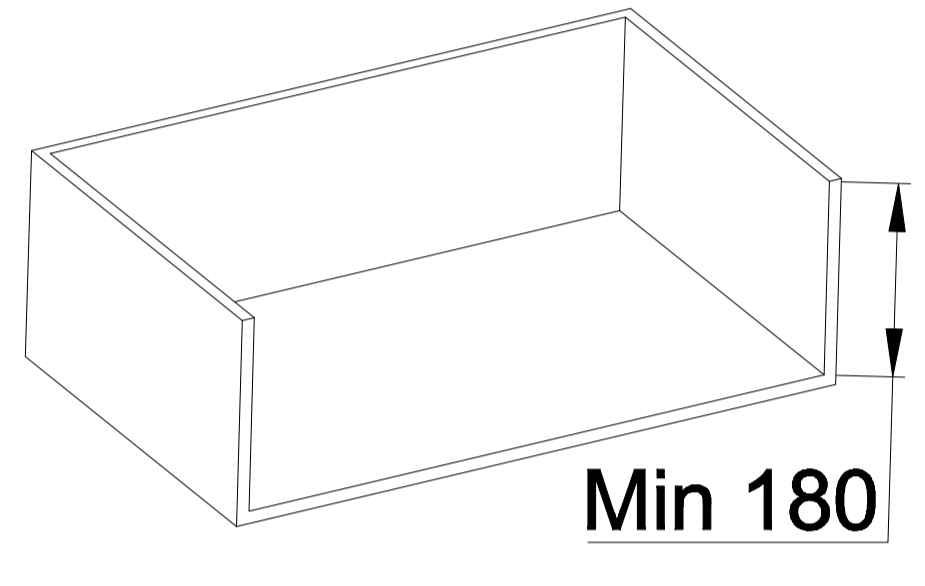


i

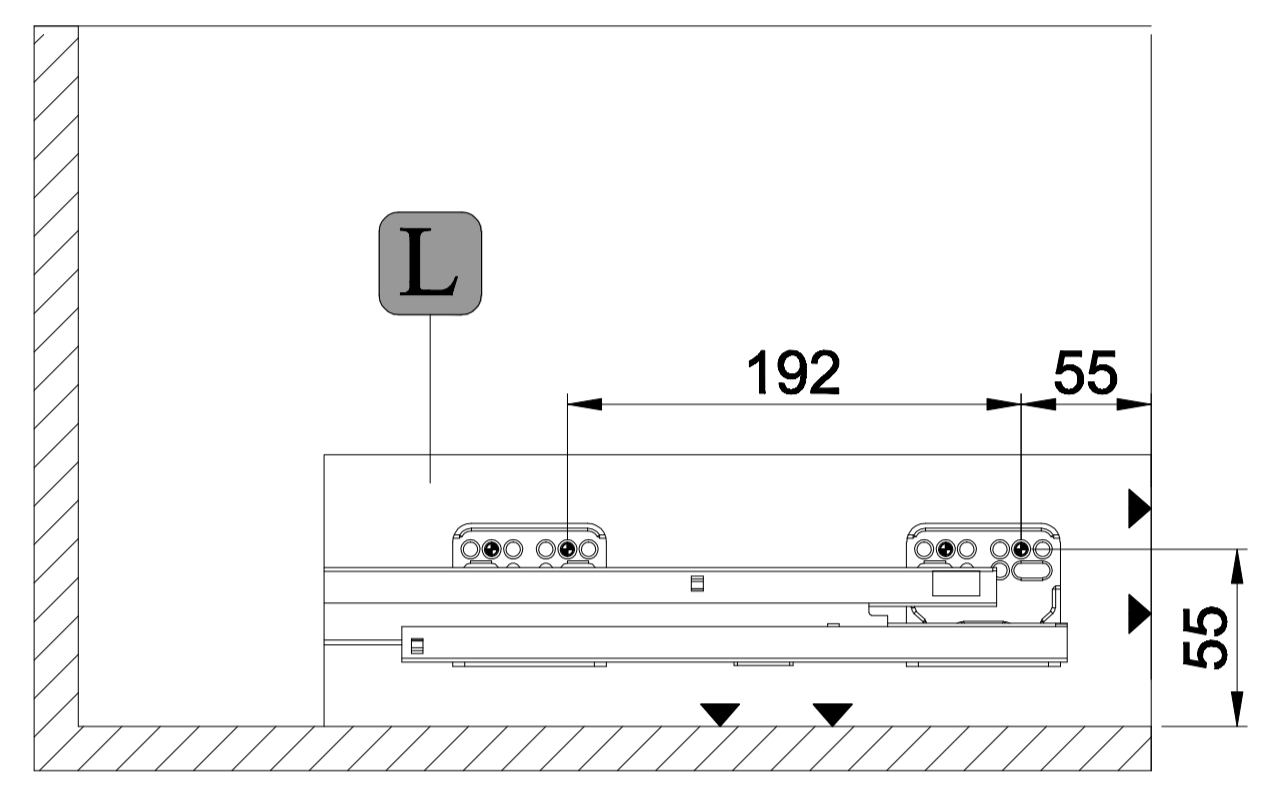
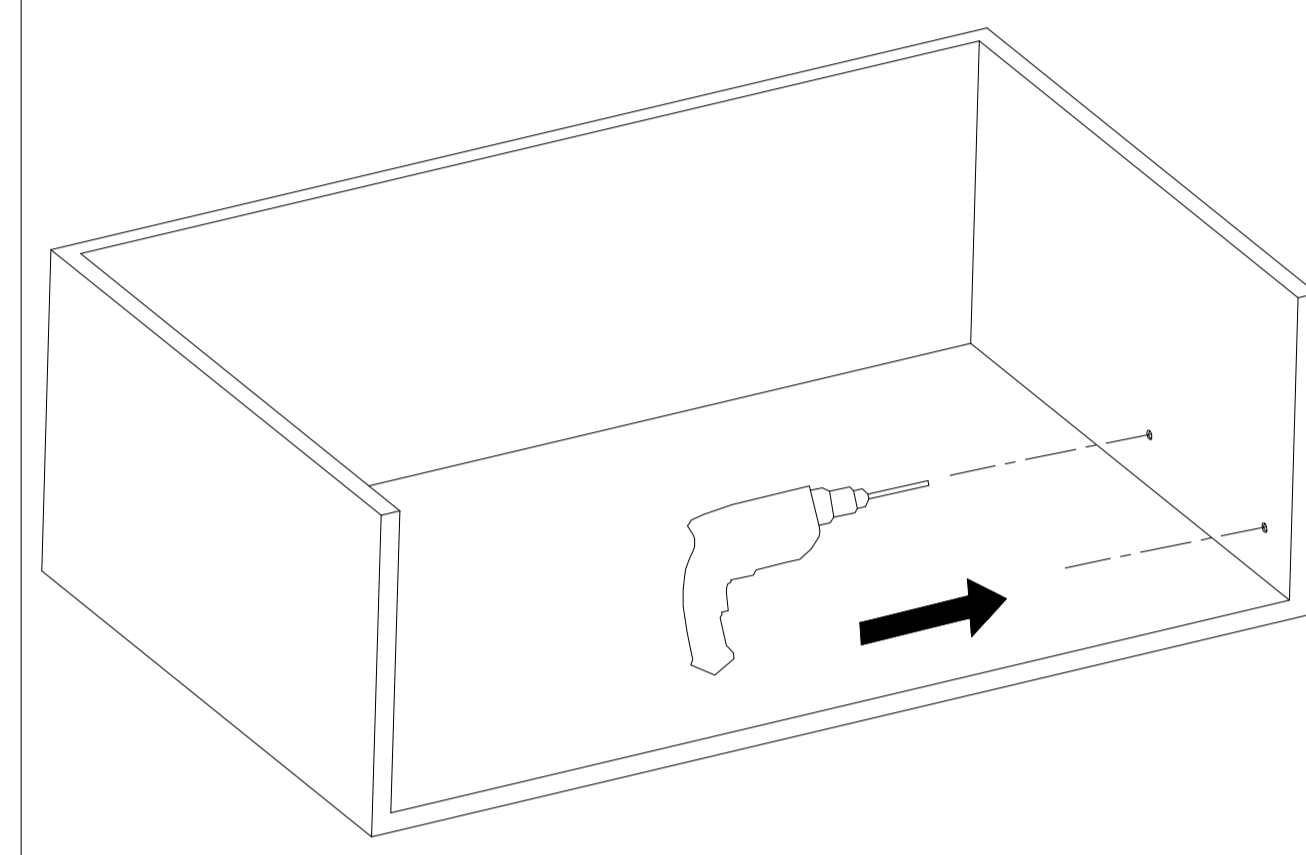
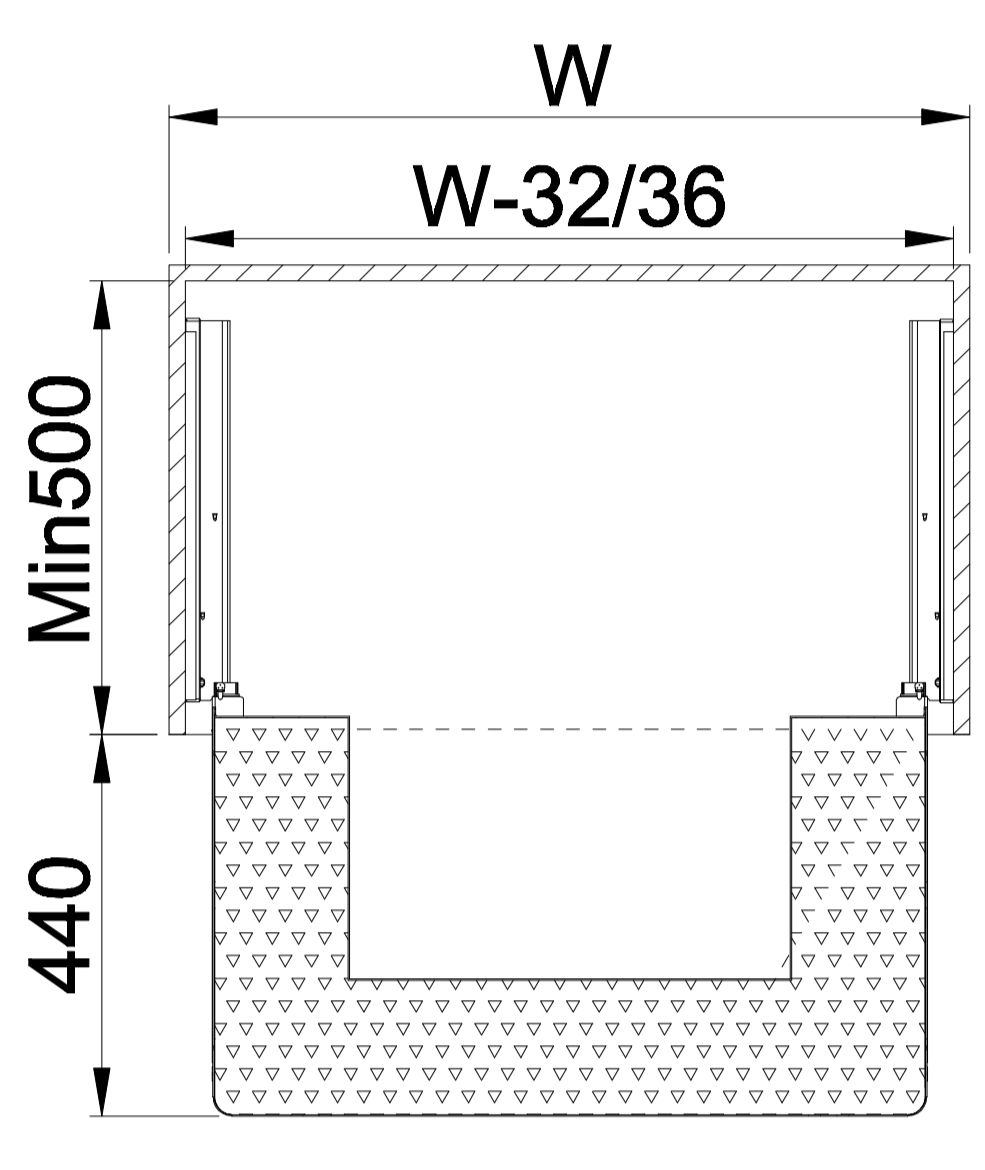
1



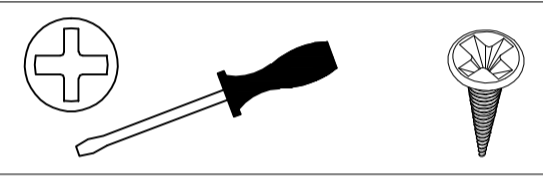
W
900



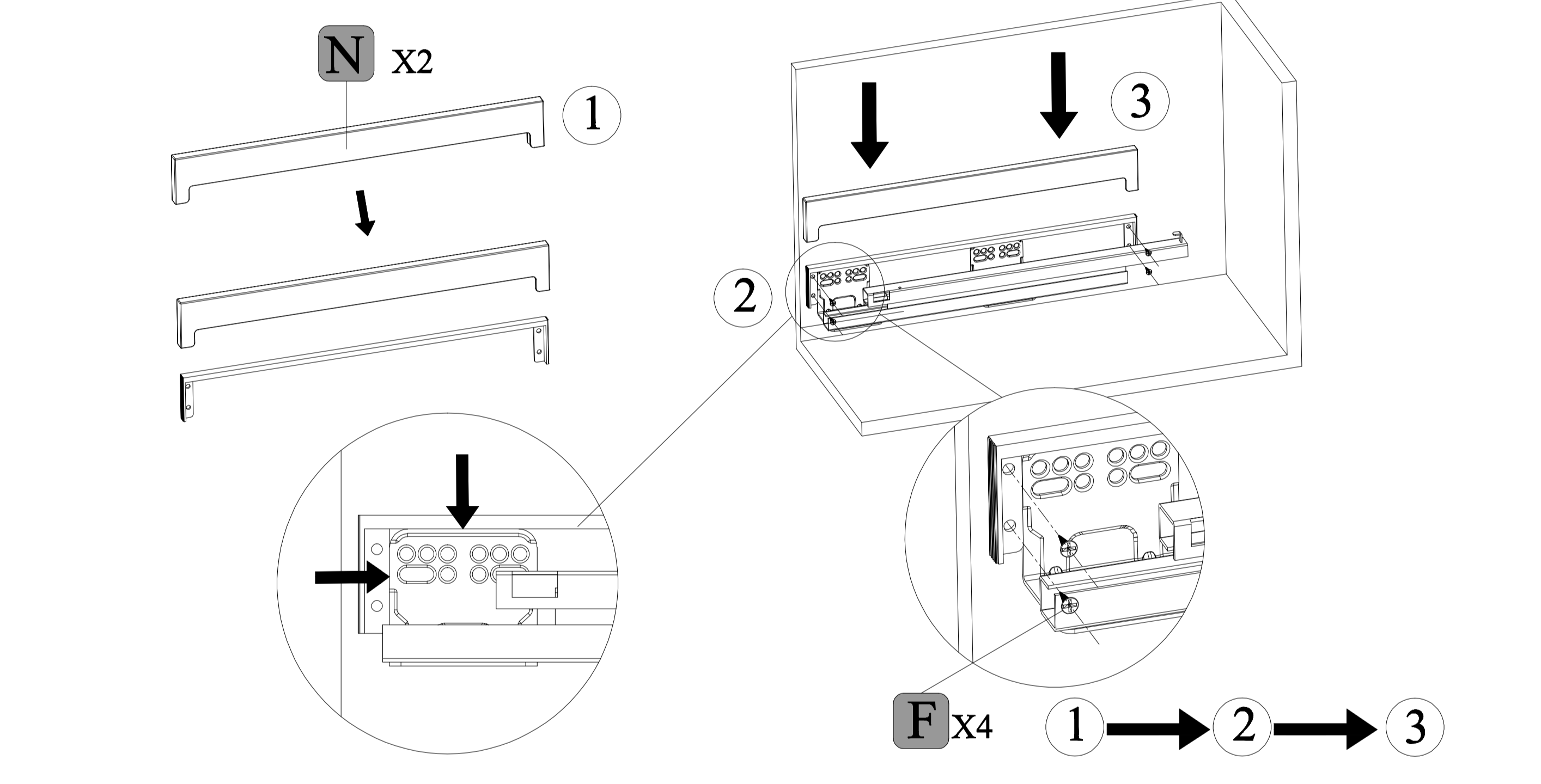
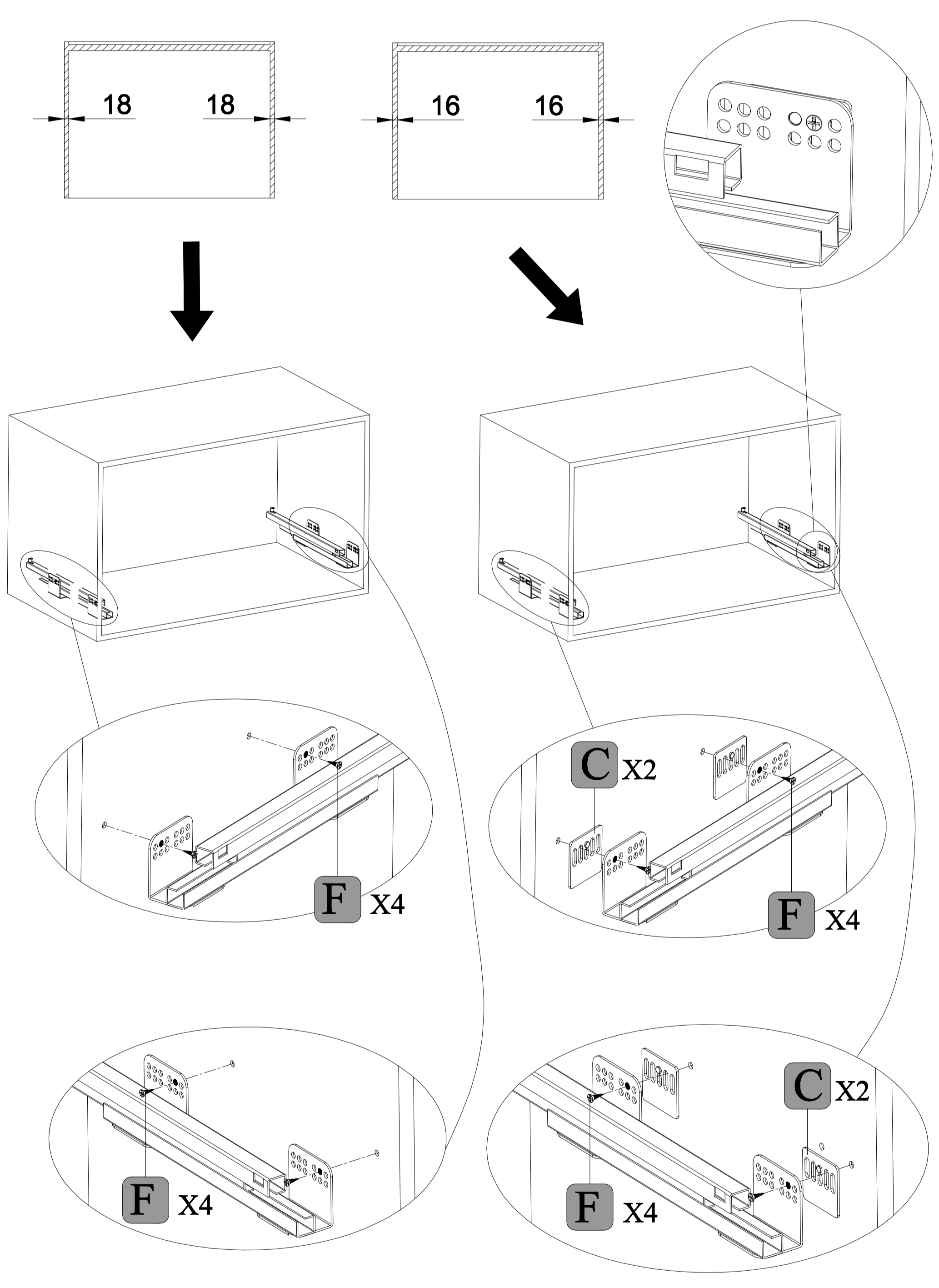
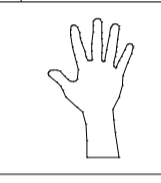
Min 180



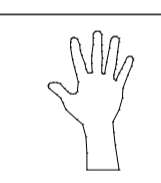
2



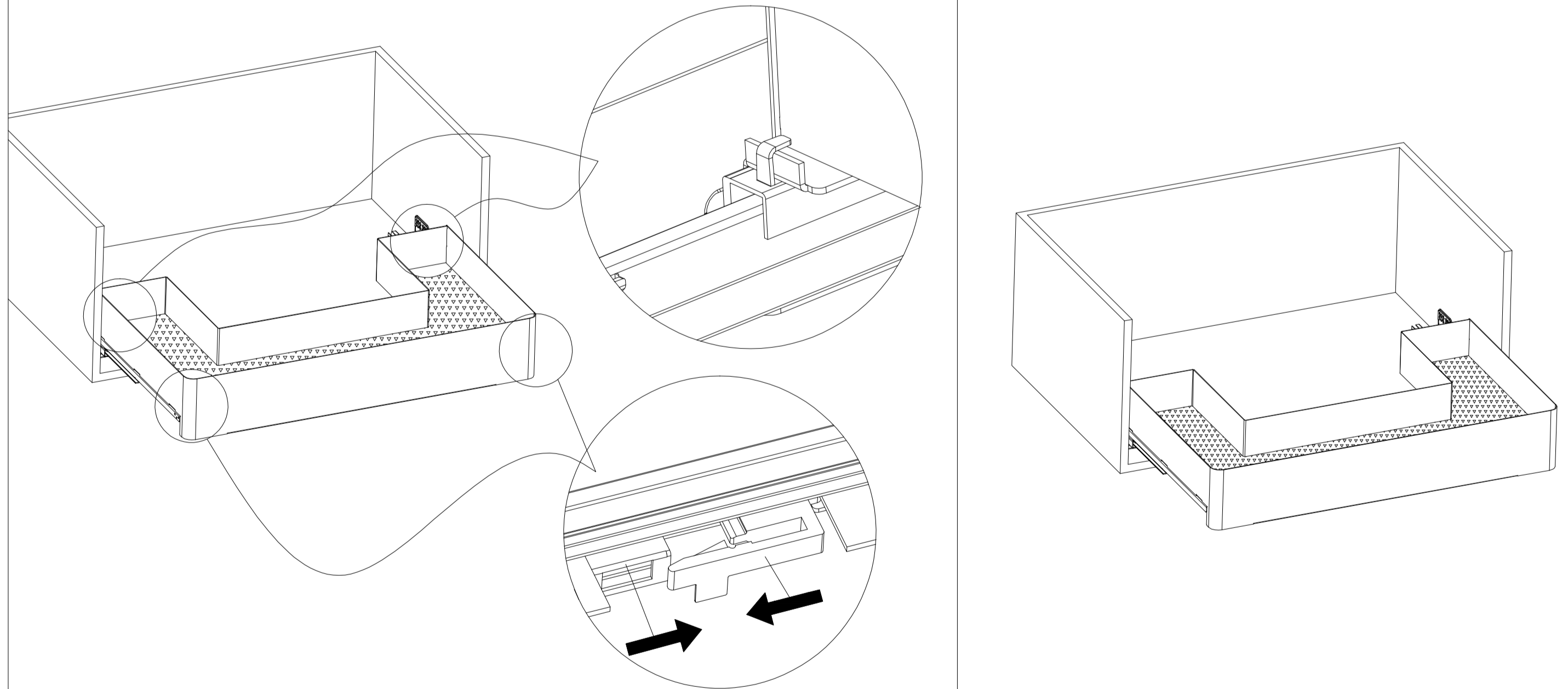
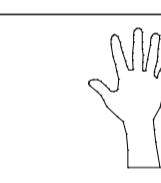
3



4



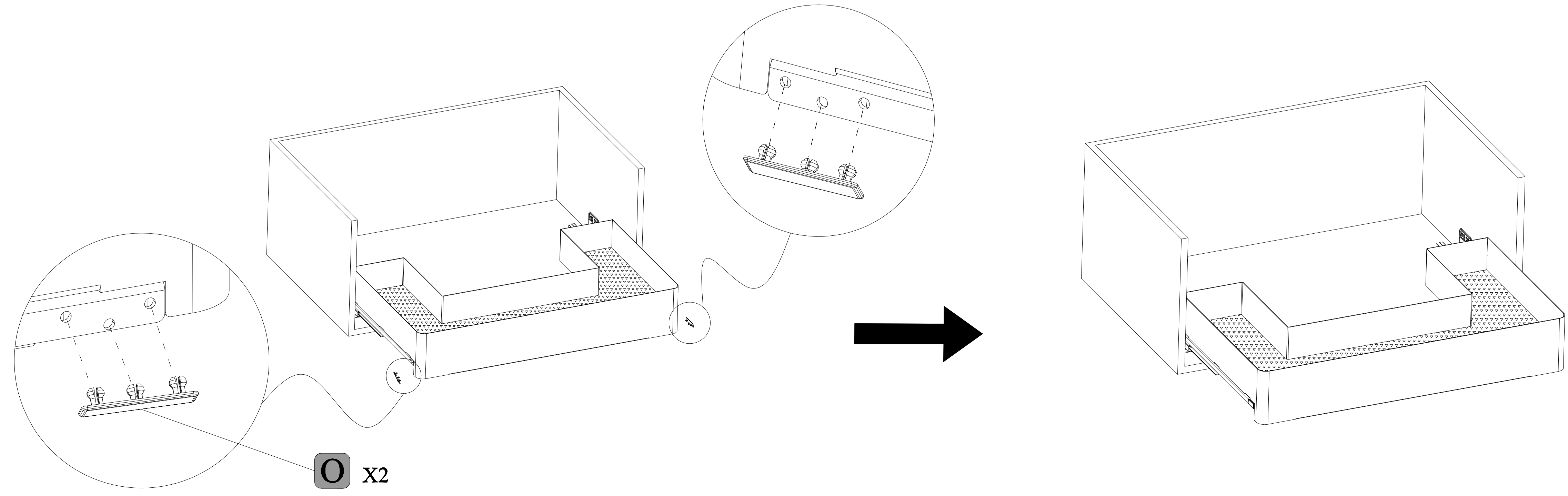
5



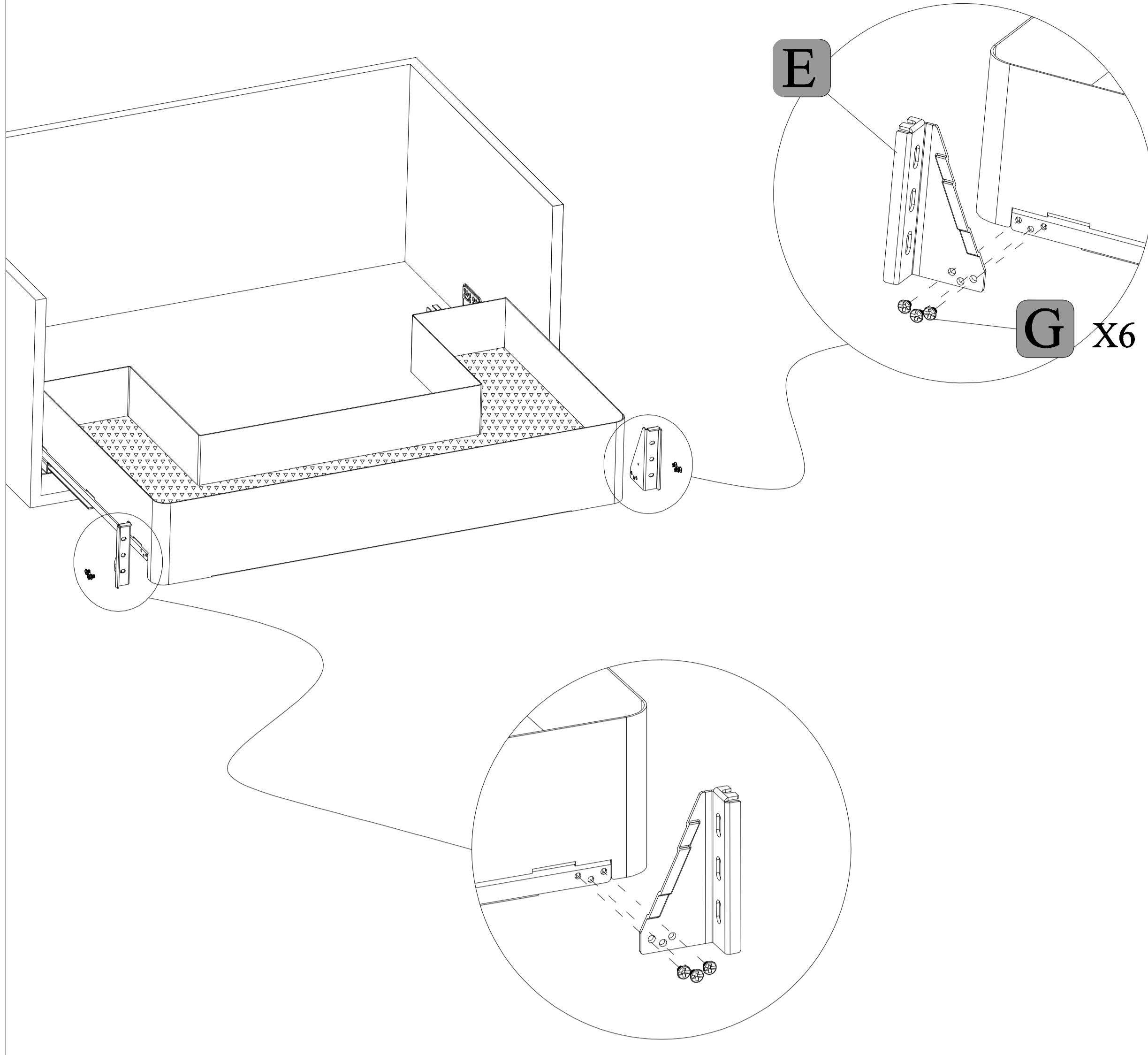
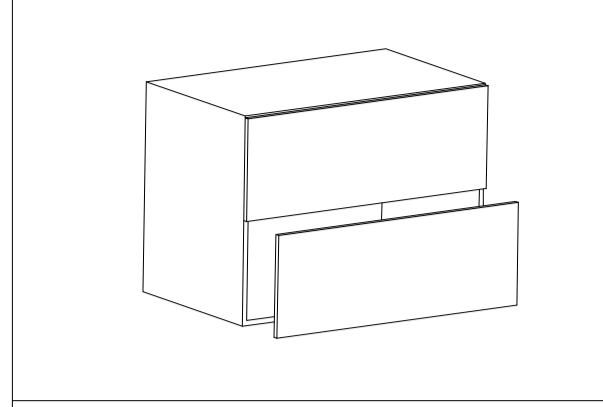
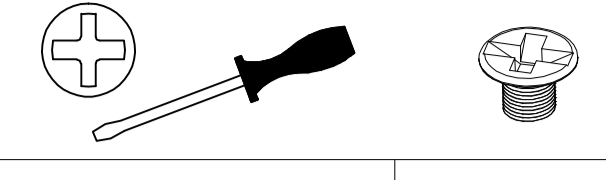
6



mm

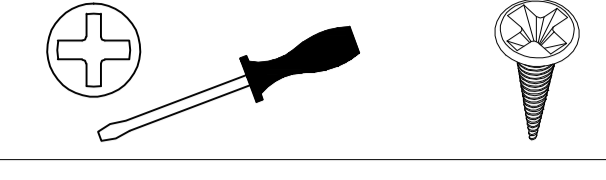


6



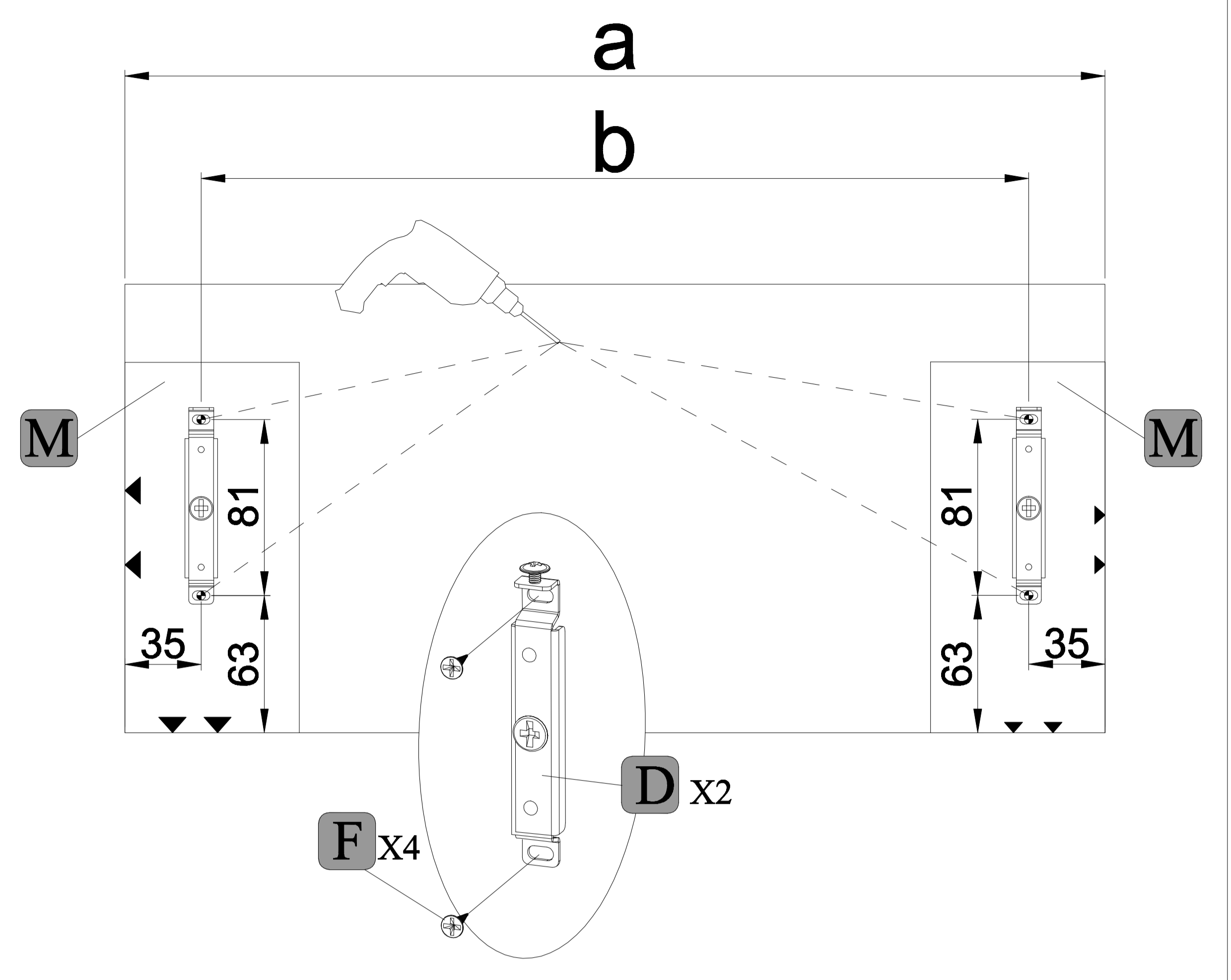
mm

7

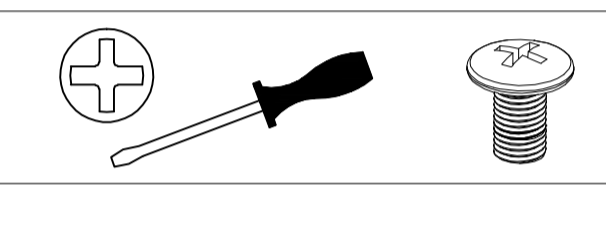


a	898
b	828

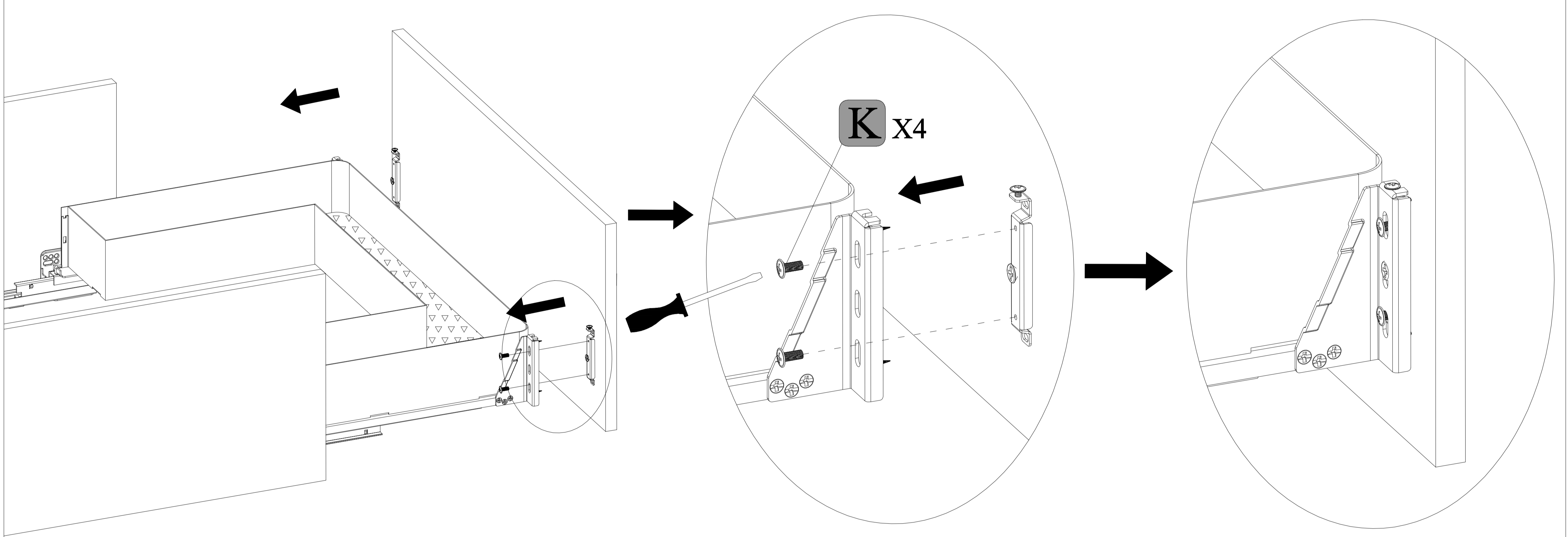
mm



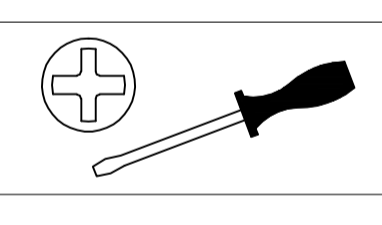
8



mm

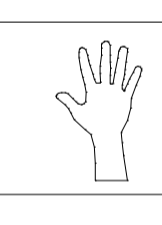


9



mm

10



mm

