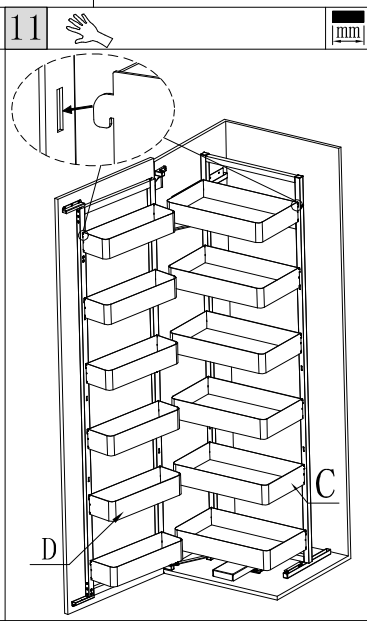
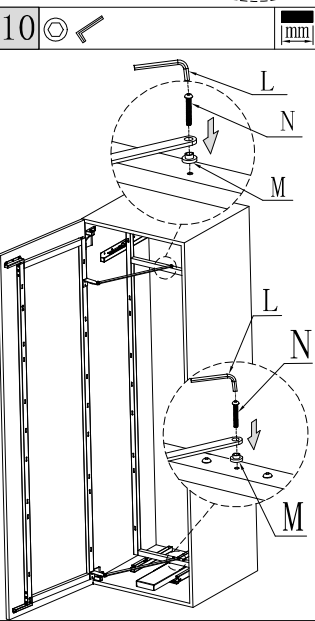
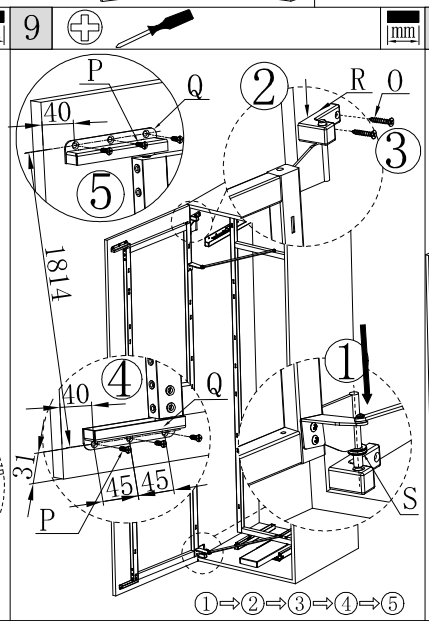
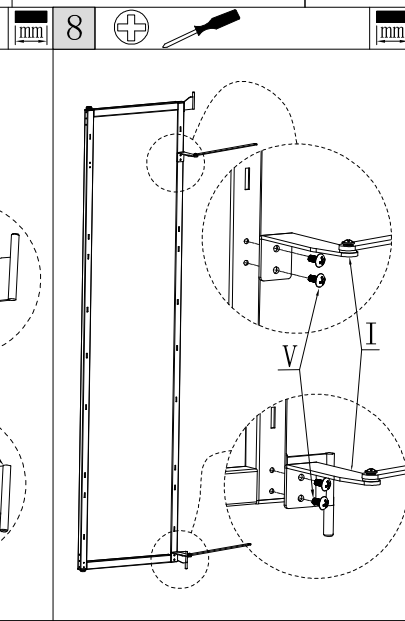
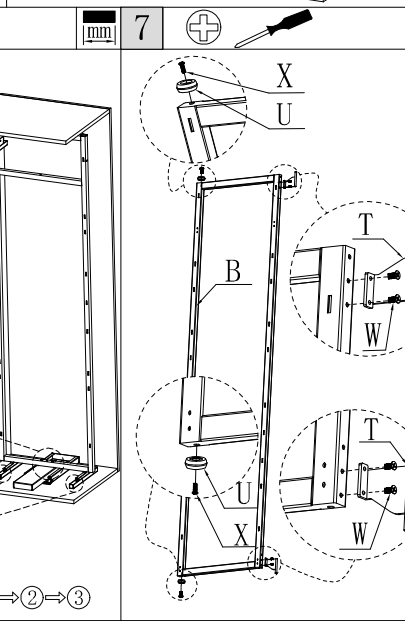
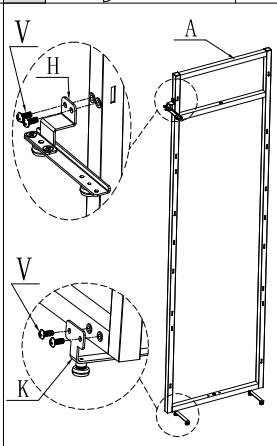
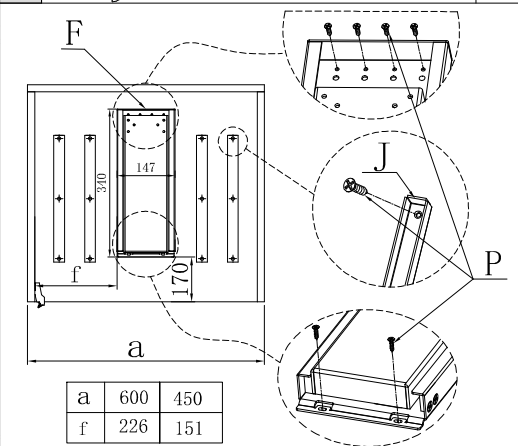
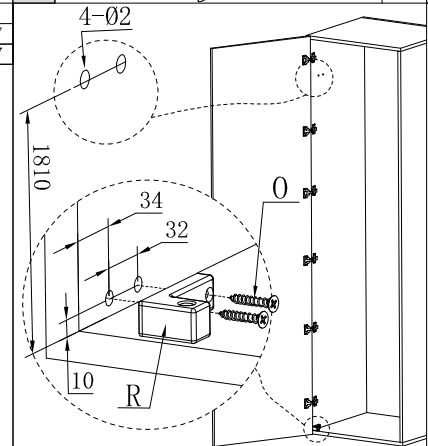
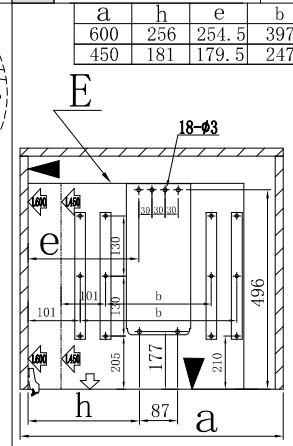
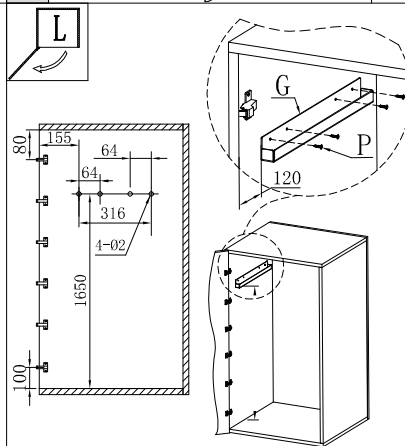
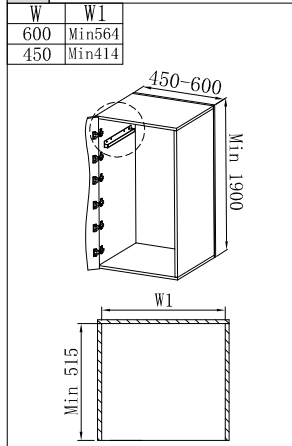


	A 1 Pc	B 1 Pc	C 6 Pcs	D 6 Pcs	E 1 Pcs	F 1 Set	G 1 Pc	H 1 Set	I 2 Set	J 2 Pcs	K 2 Pcs	L 1 Pc	M 2 Pcs	N 4 Pcs	O 4 Pcs	P 22 Pcs
	Q 2 Pcs	R 2 Pcs	S 1 Set	T 1 Set	U 2 Pcs	V 10 Pcs	W 4 Pcs	X 2 Pcs								



	A 1 Pc	B 1 Pc	C 6 Pcs	D 6 Pcs	E 1 Pcs	F 1 Set	G 1 Pc	H 1 Set	I 2 Set	J 2 Pcs	K 2 Pcs	L 1 Pc	M 2 Pcs	N 4 Pcs	O 4 Pcs	P 22 Pcs			
												Q 2 Pcs	R 2 Pcs	S 1 Set	T 1 Set	U 2 Pcs	V 10 Pcs	W 4 Pcs	X 2 Pcs

1

2

3

4

5

W	W1
600	Min564
450	Min414

a	600	450
f	226	151

a	600	450
f	226	151

6

7

8

9

10

11

6

7

8

9

10

11

1

2

3

4

5