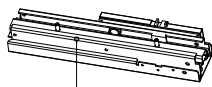
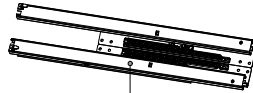


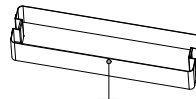
A X1



B X1



C X1

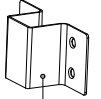


D X6

150/200 Cabinet
(2 PCS)



E



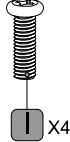
F X2



G X12



H X2



I X4



J X20



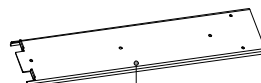
K X7



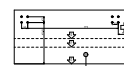
O X2



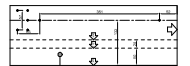
M X3



N X1



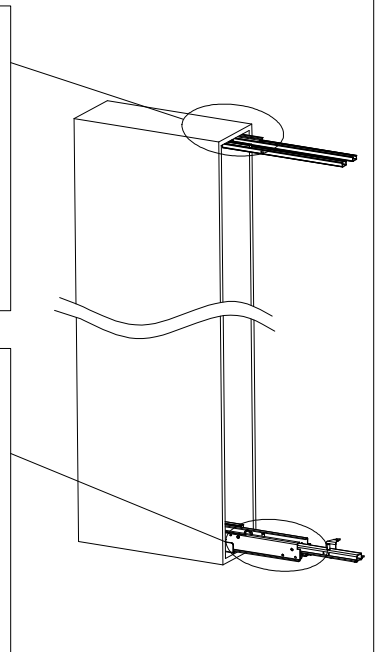
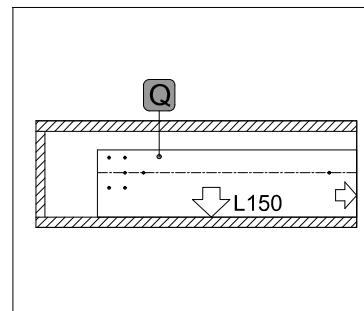
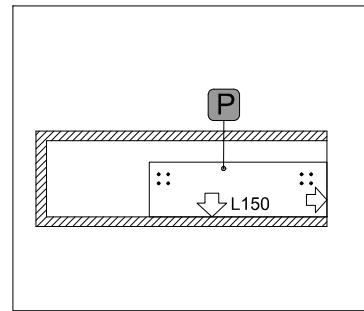
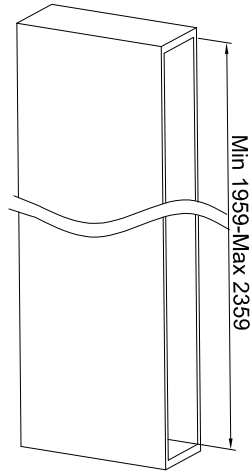
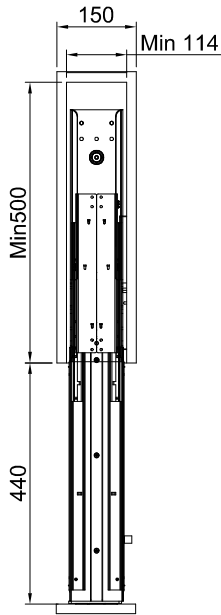
P X1



Q X1



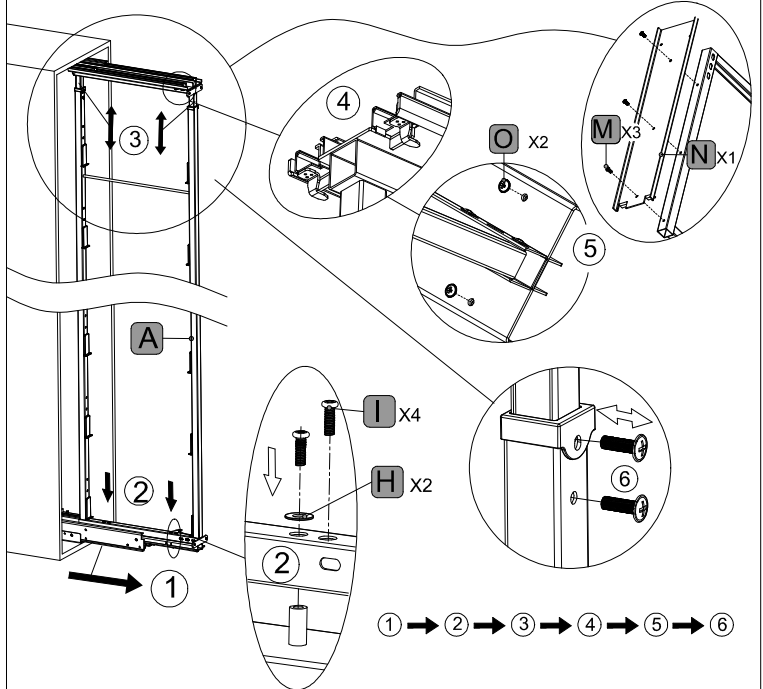
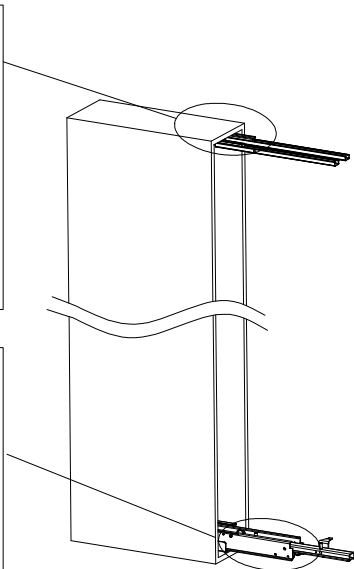
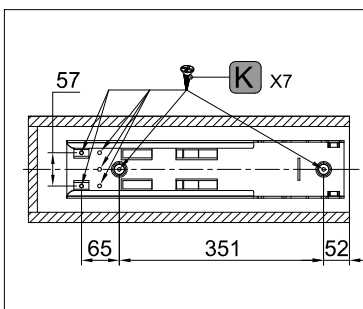
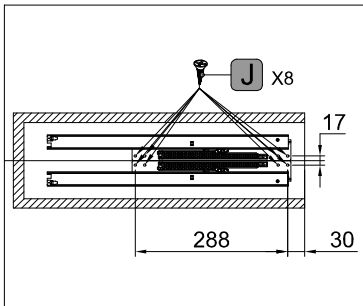
1



2

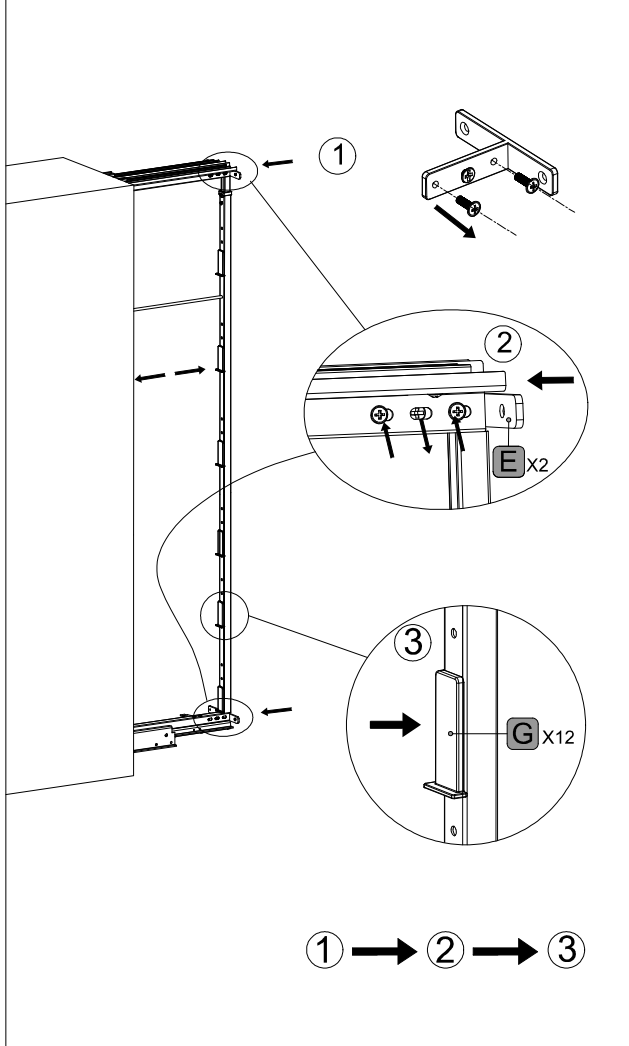


3

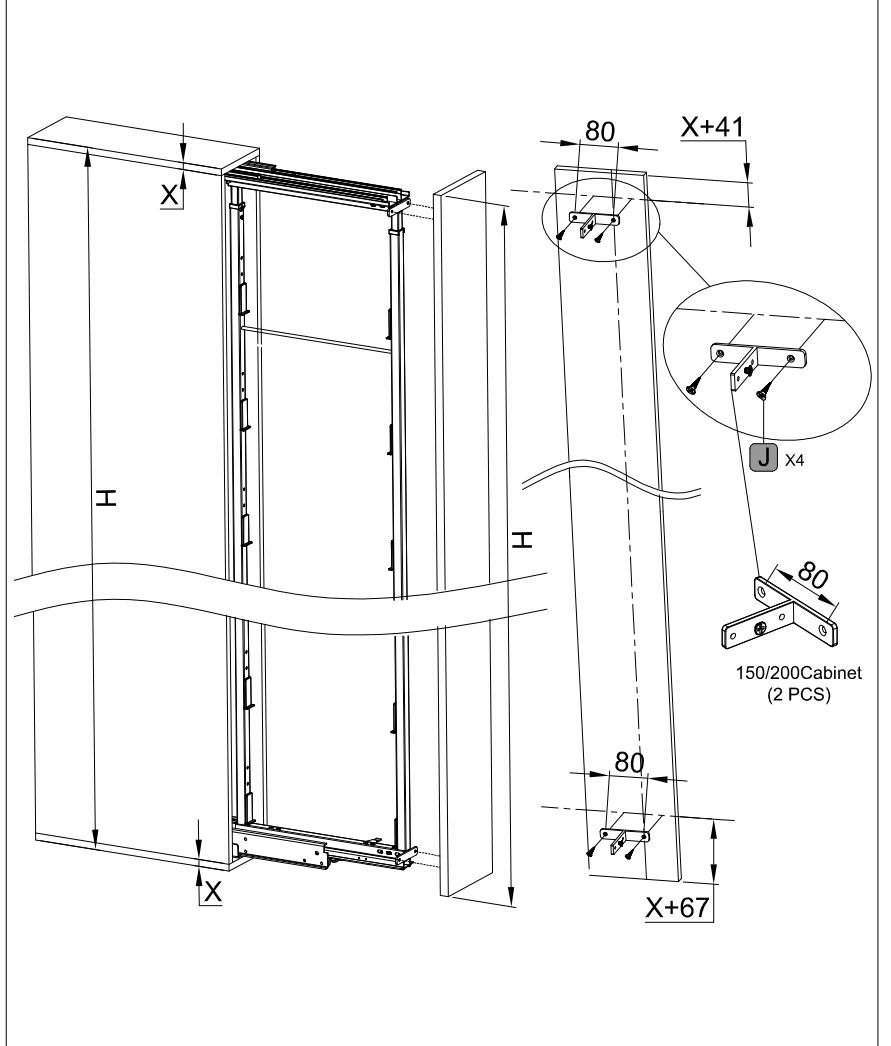


① → ② → ③ → ④ → ⑤ → ⑥

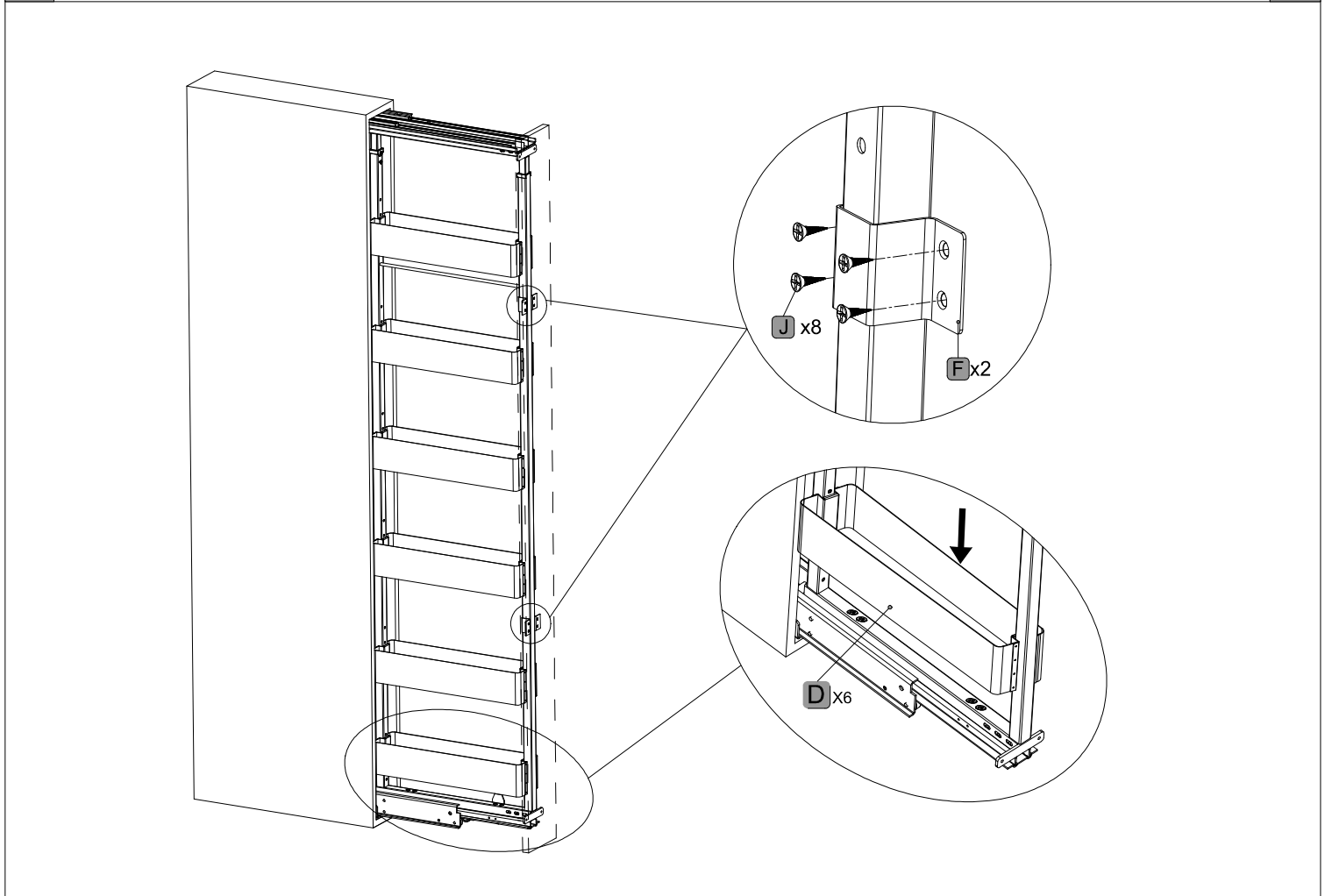
4



mm 5



6



mm

mm