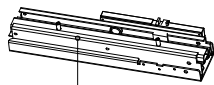
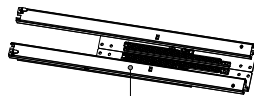


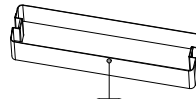
A X1



B X1



C X1

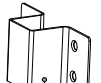


D X5

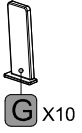
150/200 Cabinet
(2 PCS)



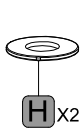
E



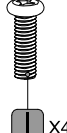
F X2



G X10



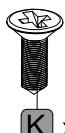
H X2



I X4



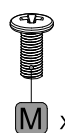
J X20



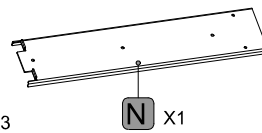
K X7



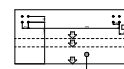
O X2



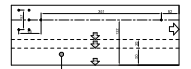
M X3



N X1



P X1

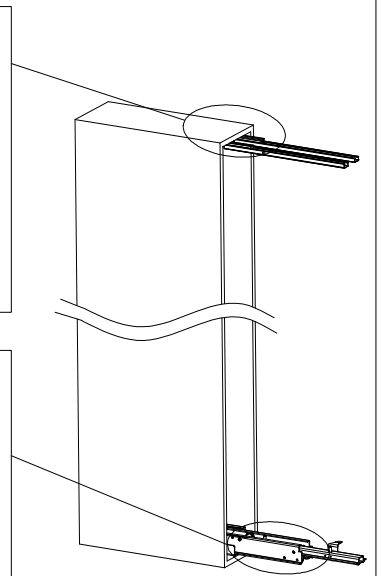
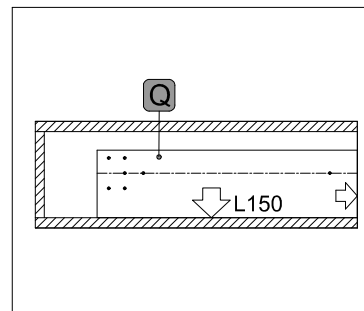
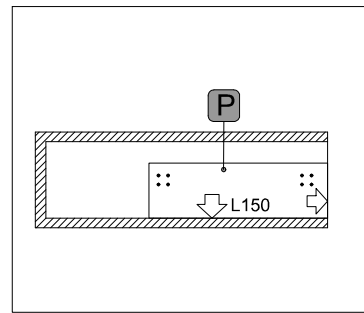
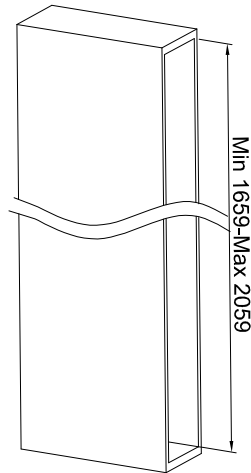
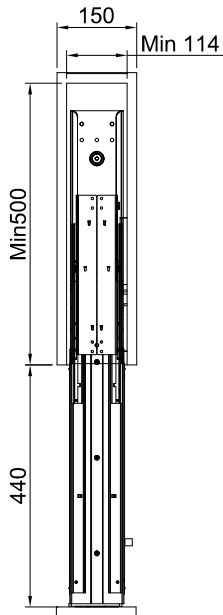


Q X1



mm 1

mm



2

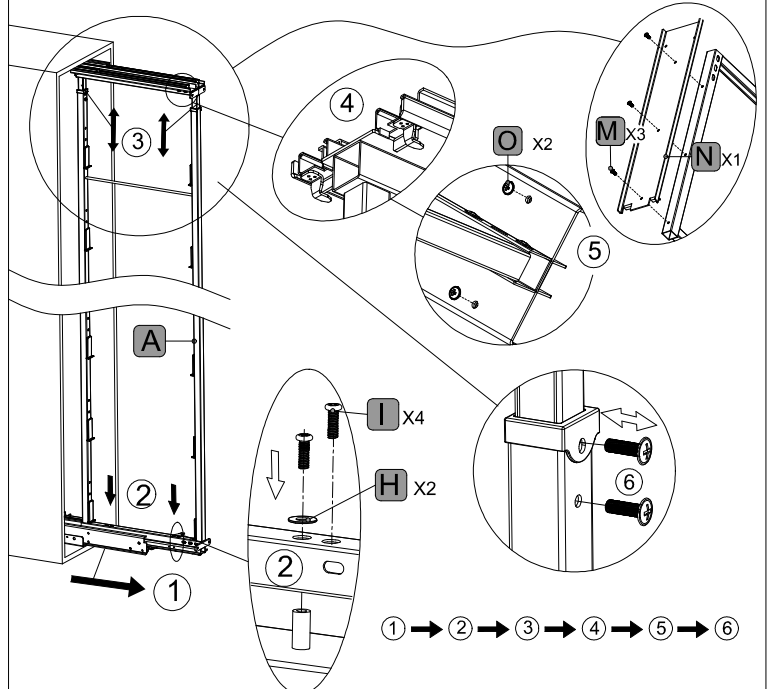
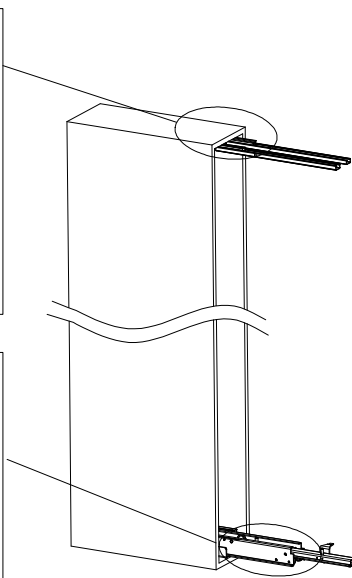
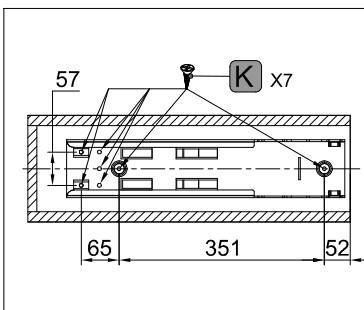
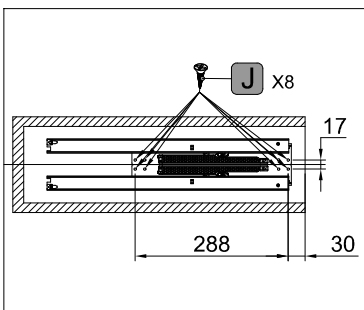


mm

3



mm



① → ② → ③ → ④ → ⑤ → ⑥

4

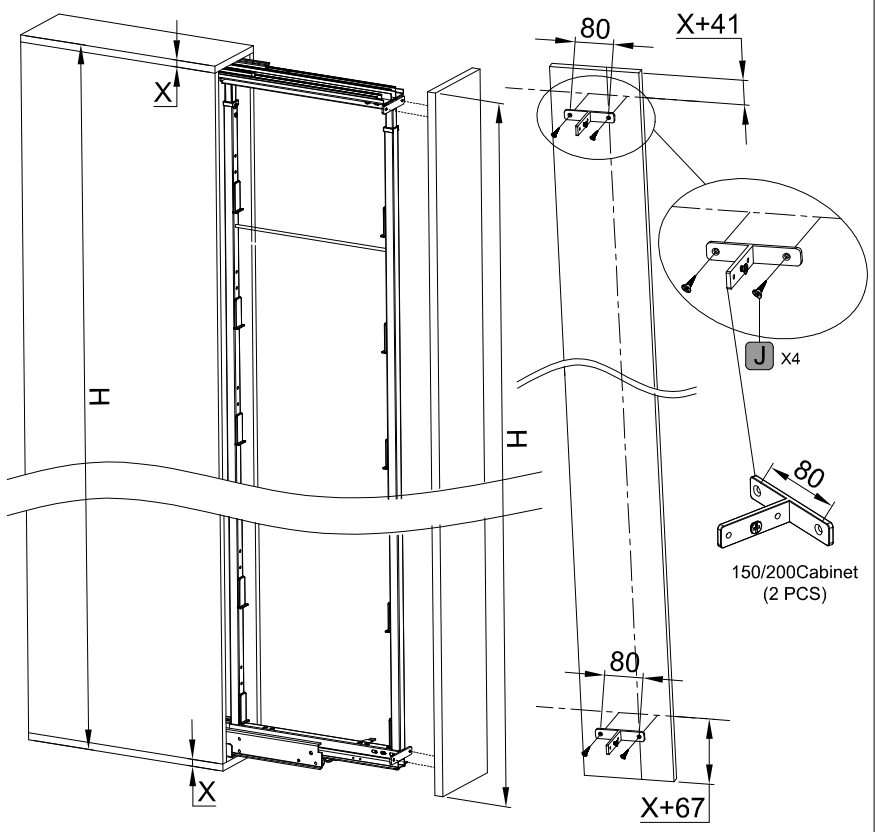
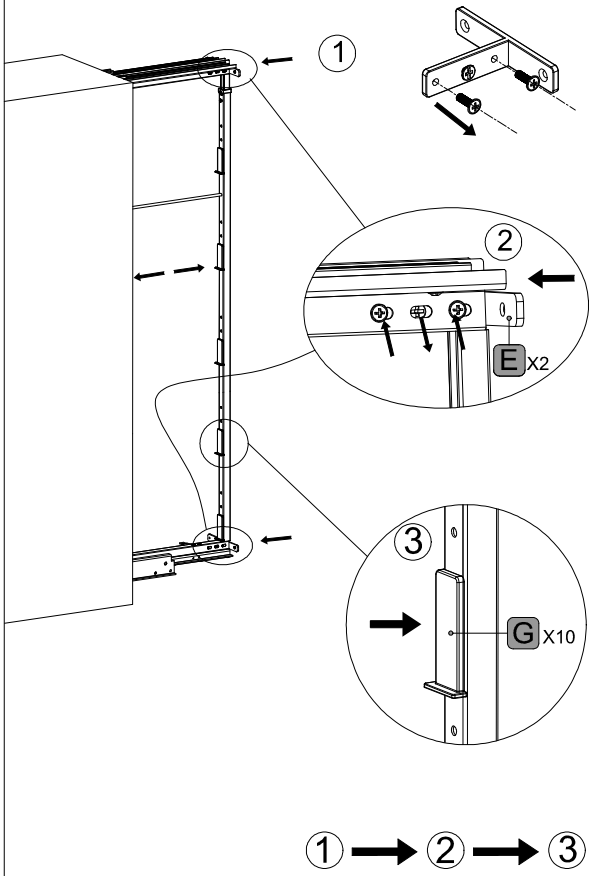


mm

5



mm



6



mm

