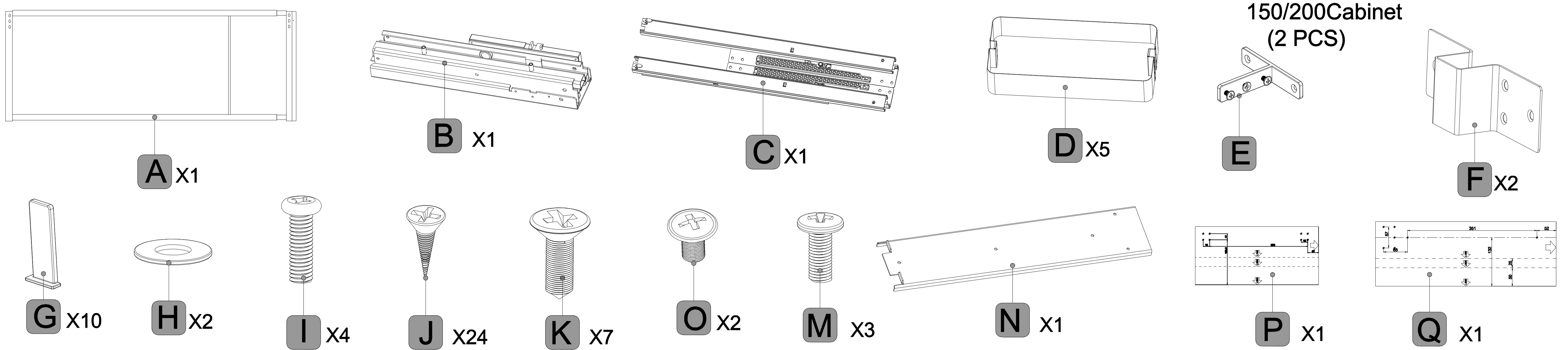
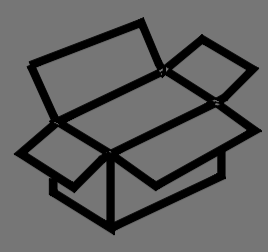
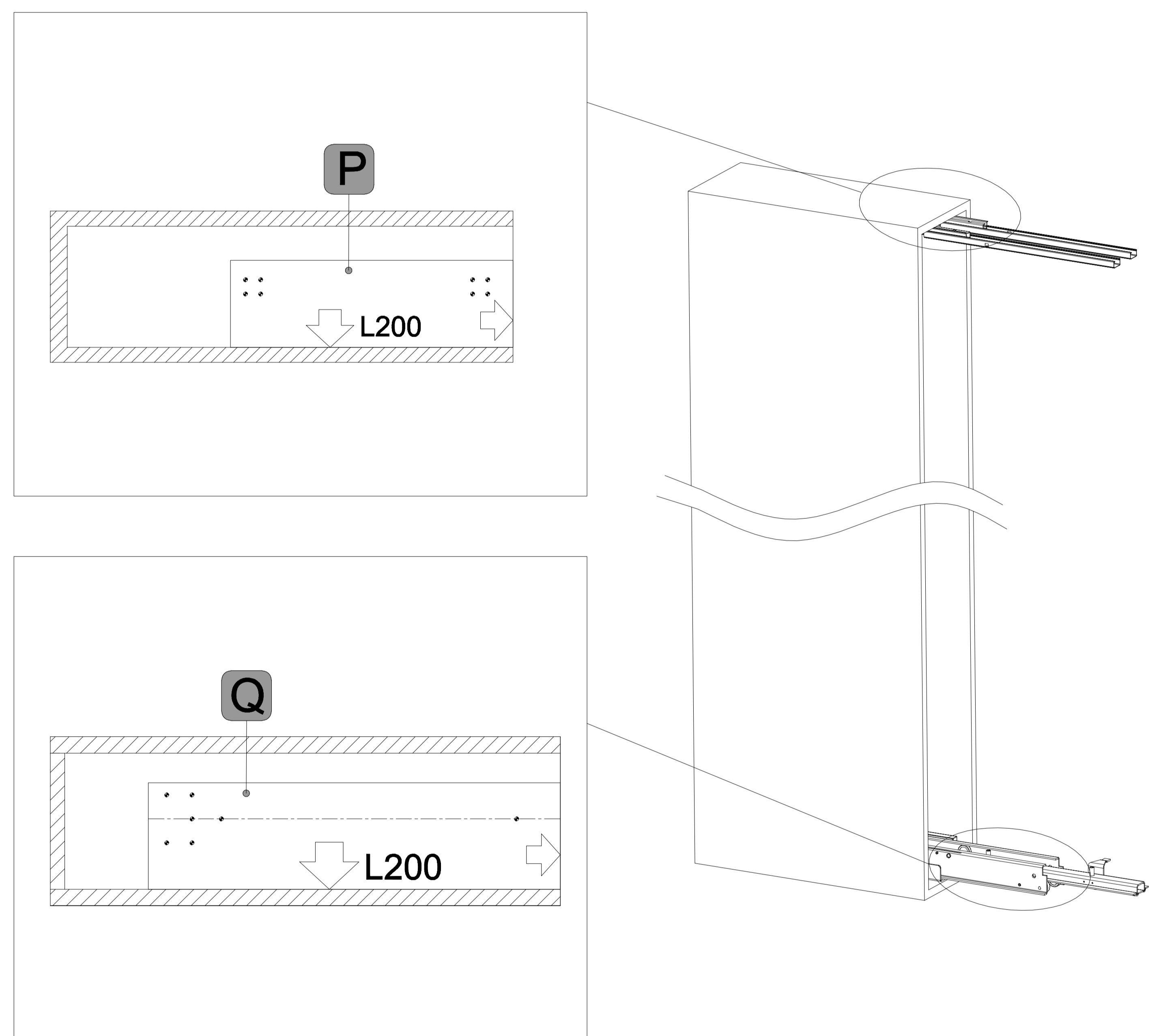
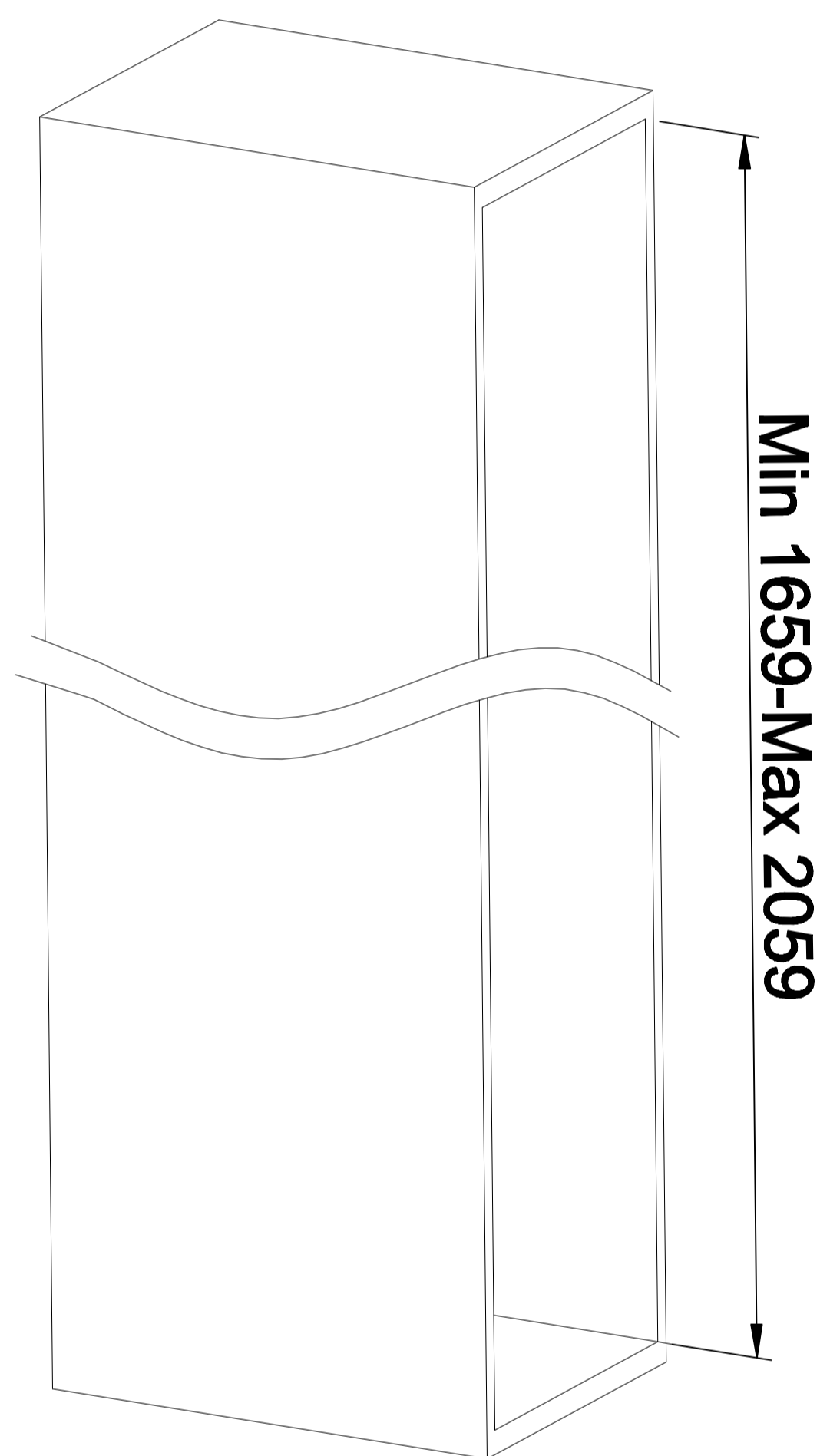
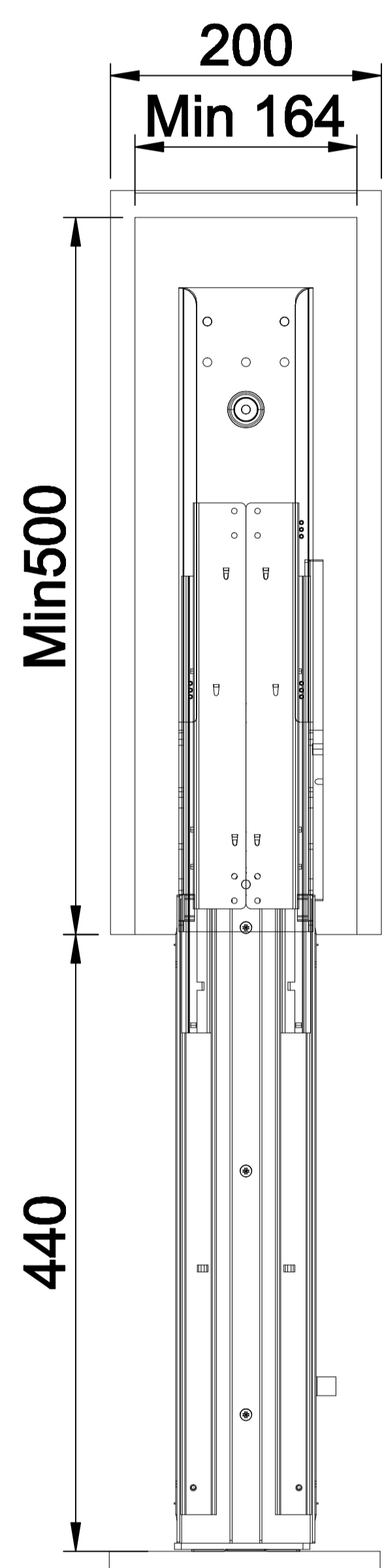


UL10205 PG

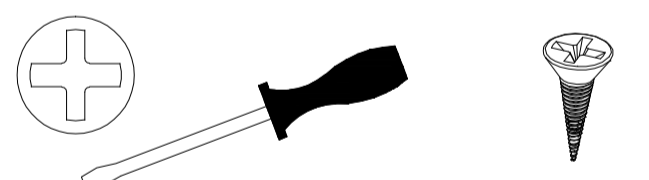


mm 1

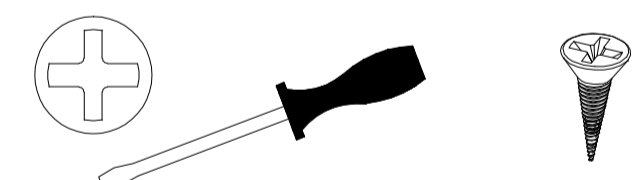
mm



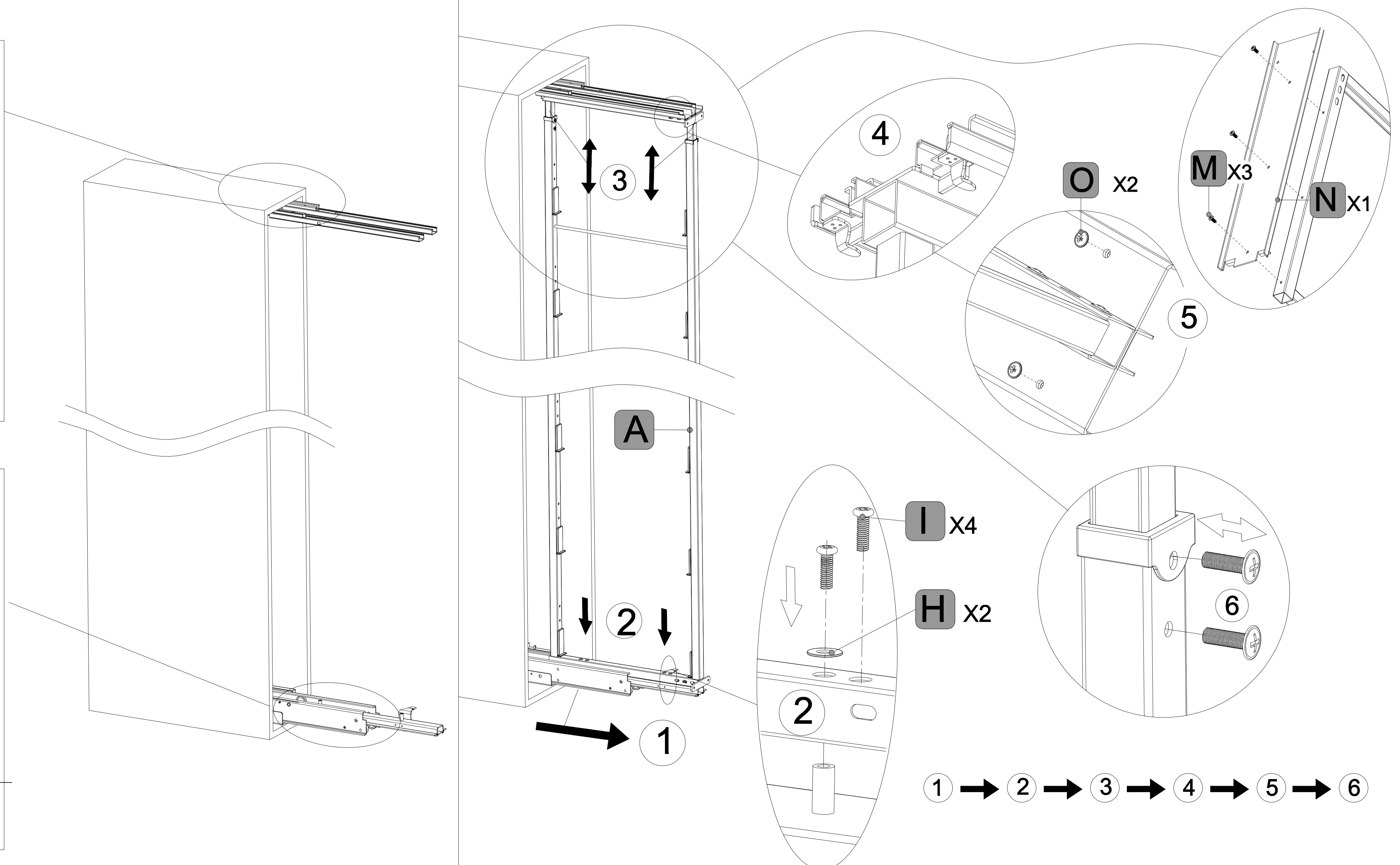
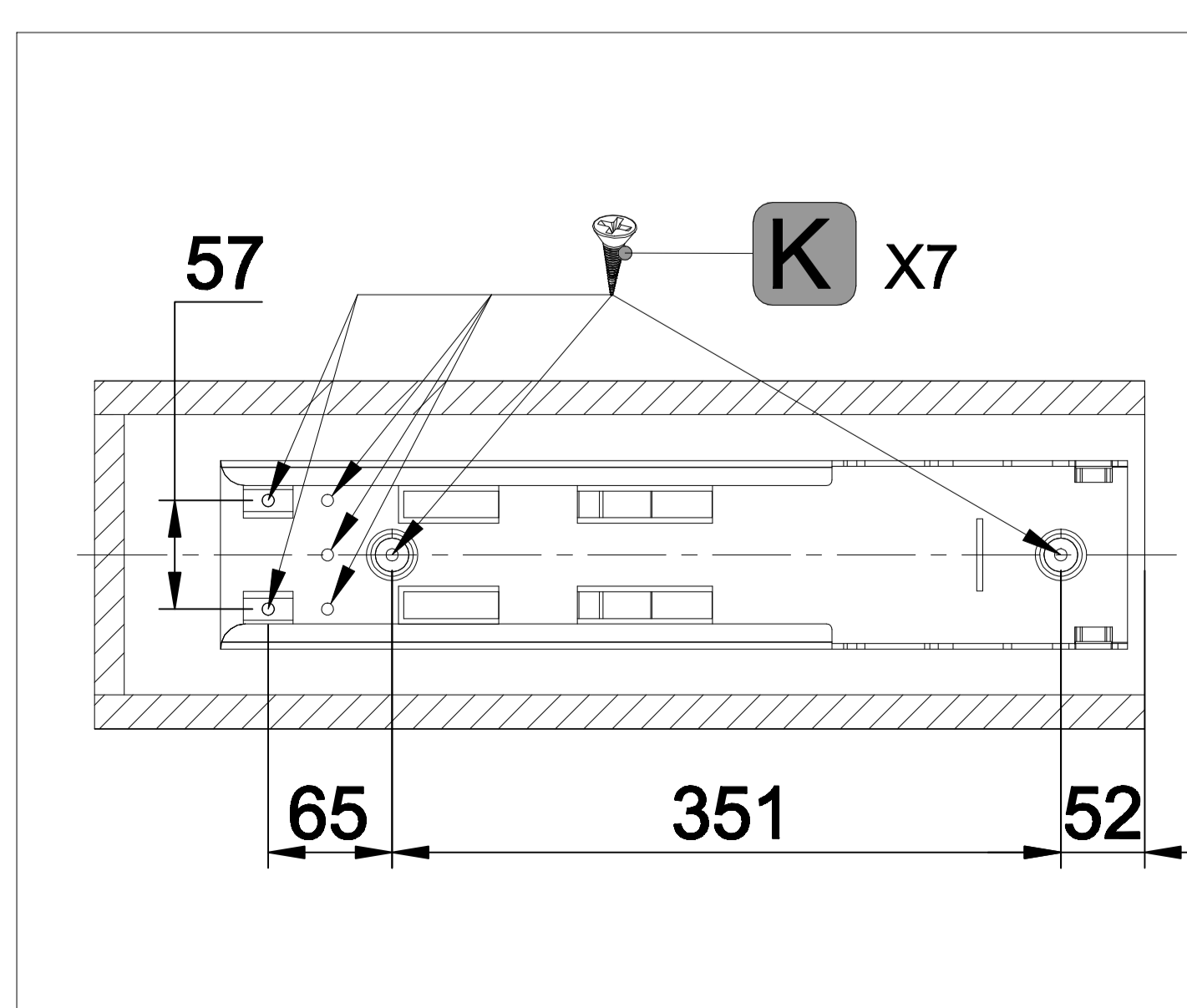
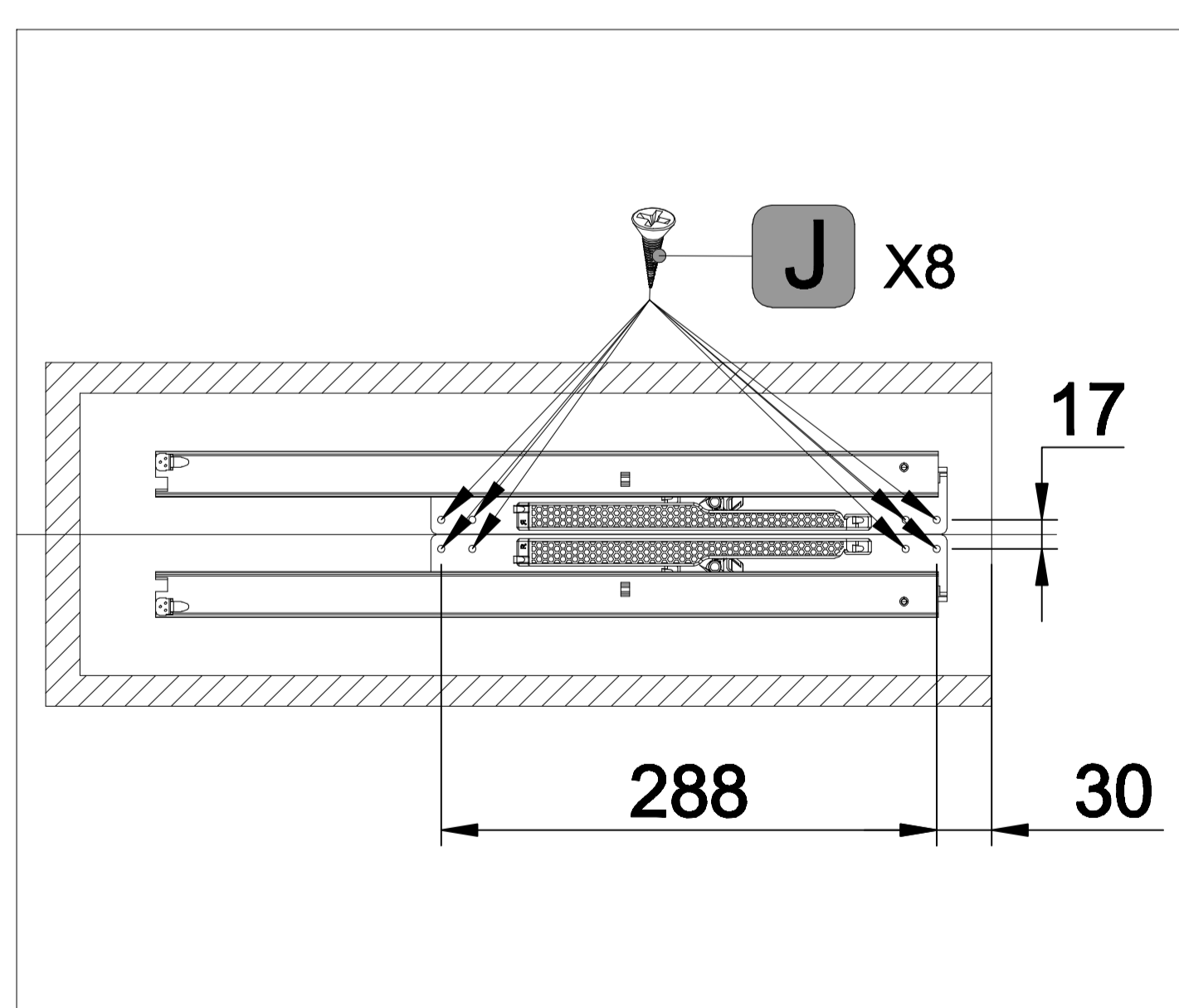
2



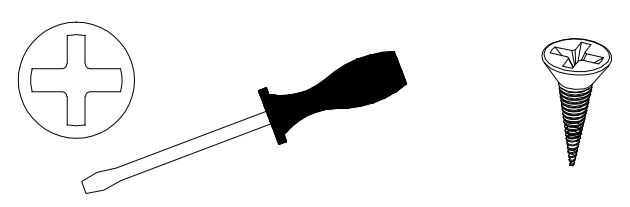
mm 3



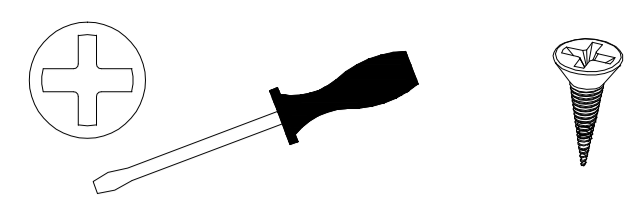
mm



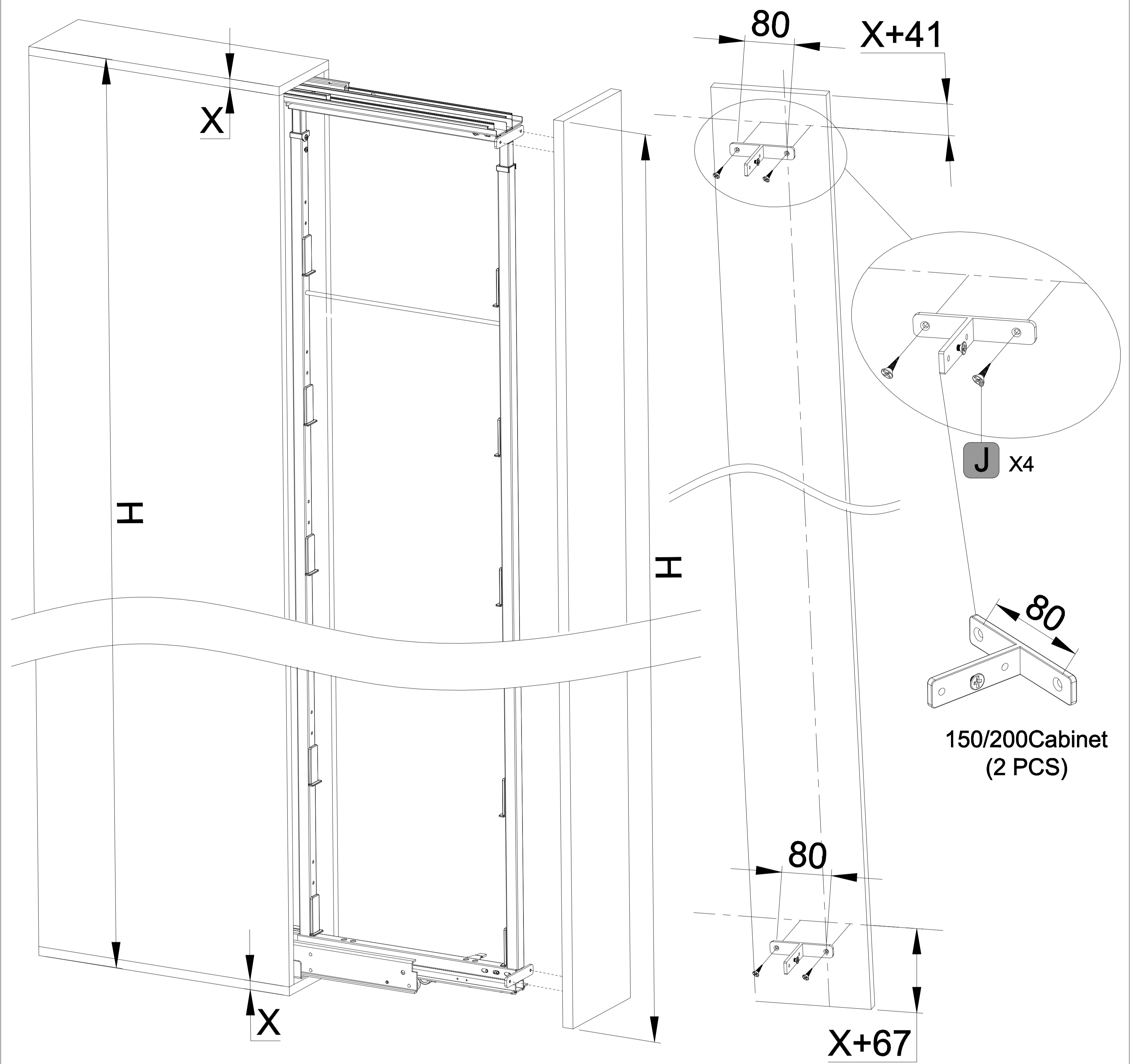
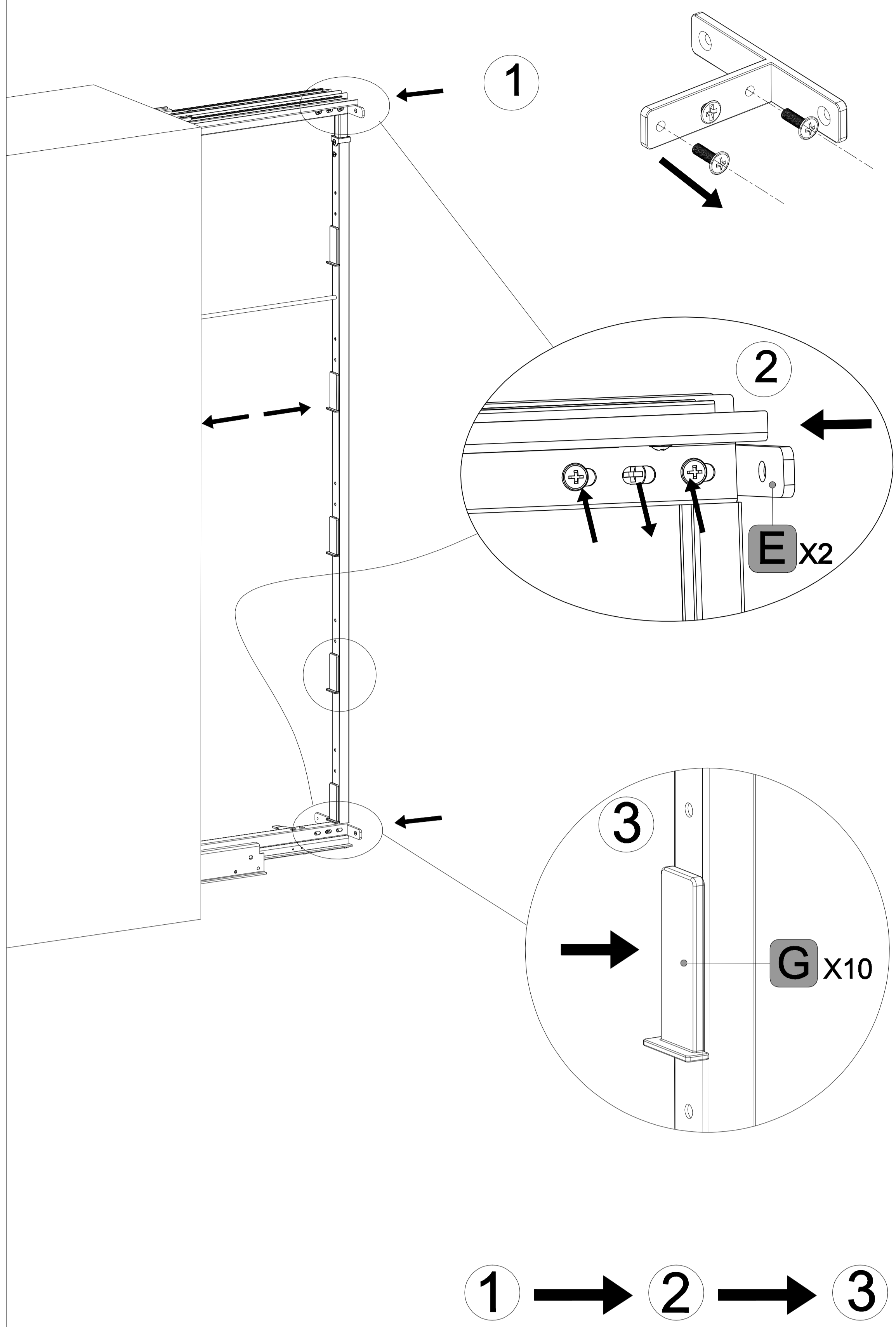
4



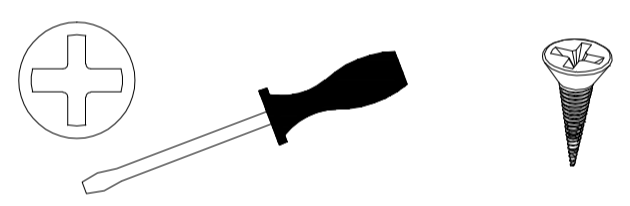
mm 5



mm



6



mm

