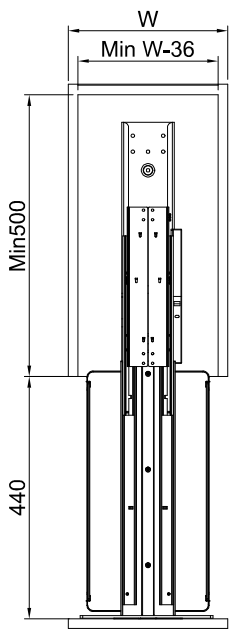


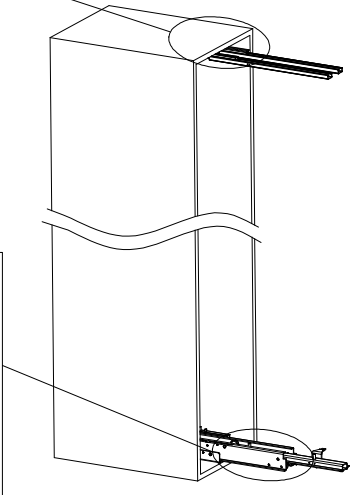
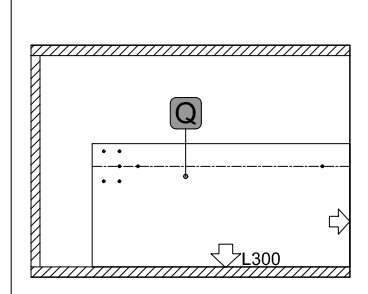
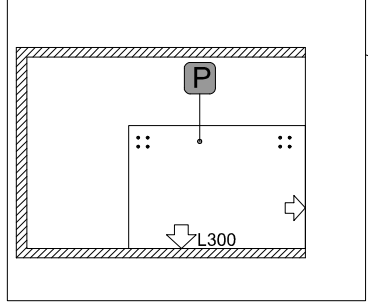
mm 1

mm



W
300

Min 1659-Max 2059



2

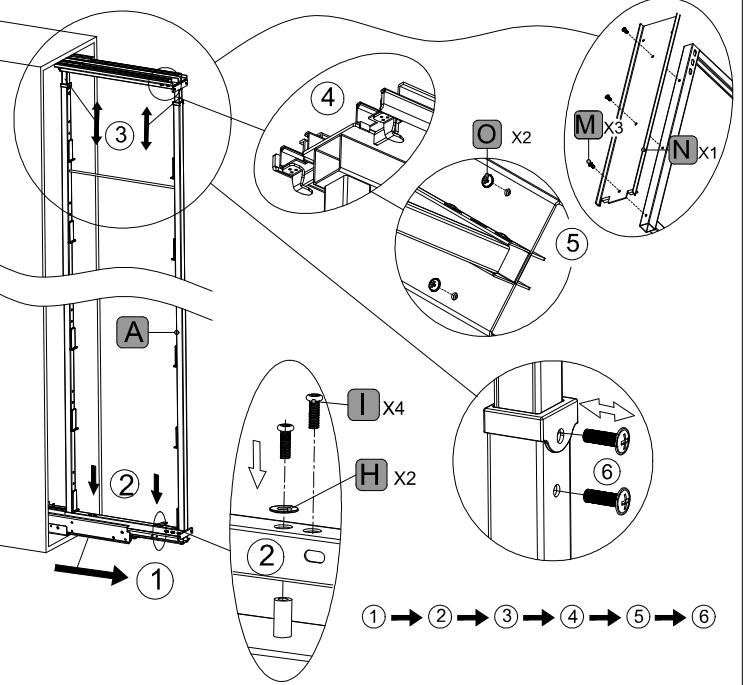
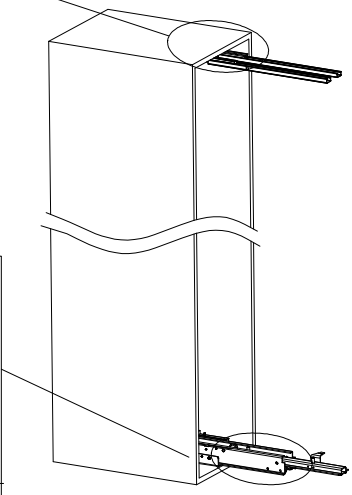
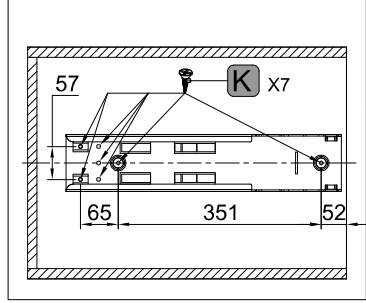
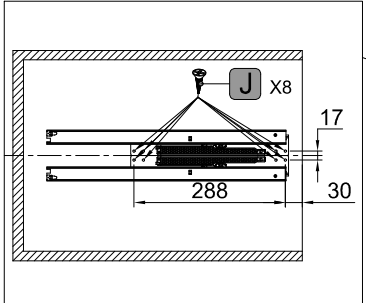


mm

3



mm



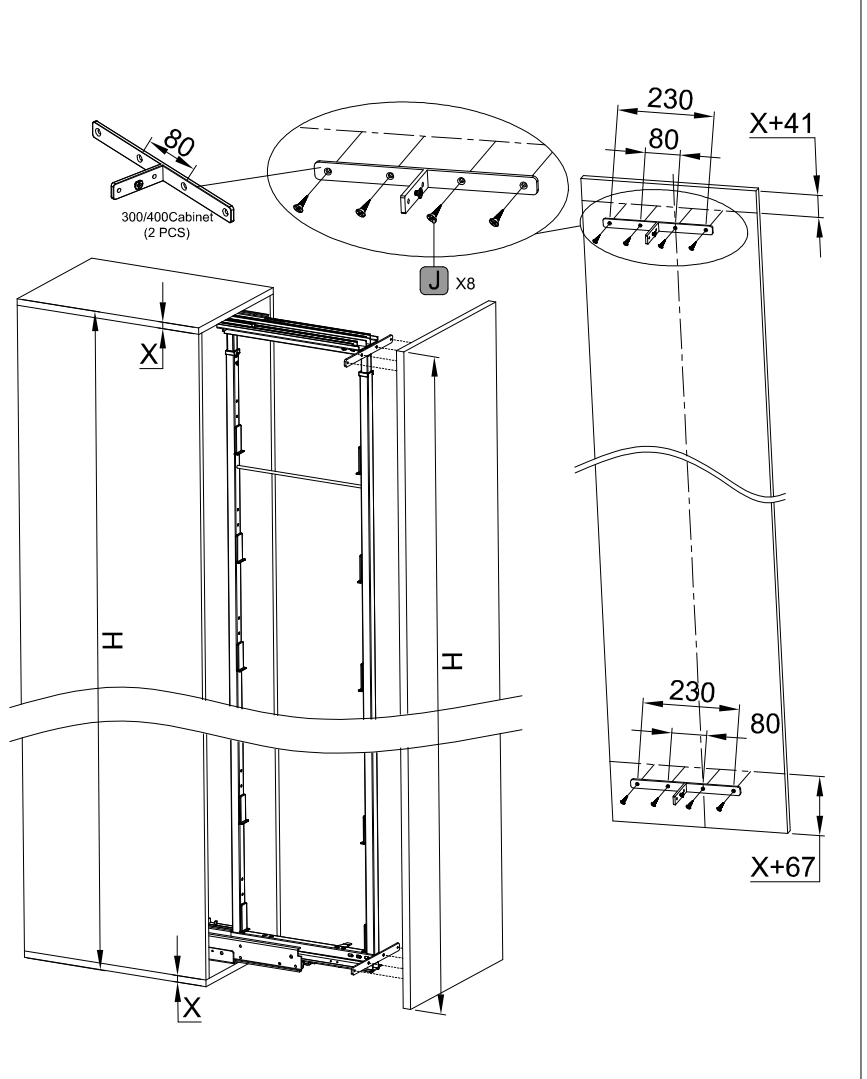
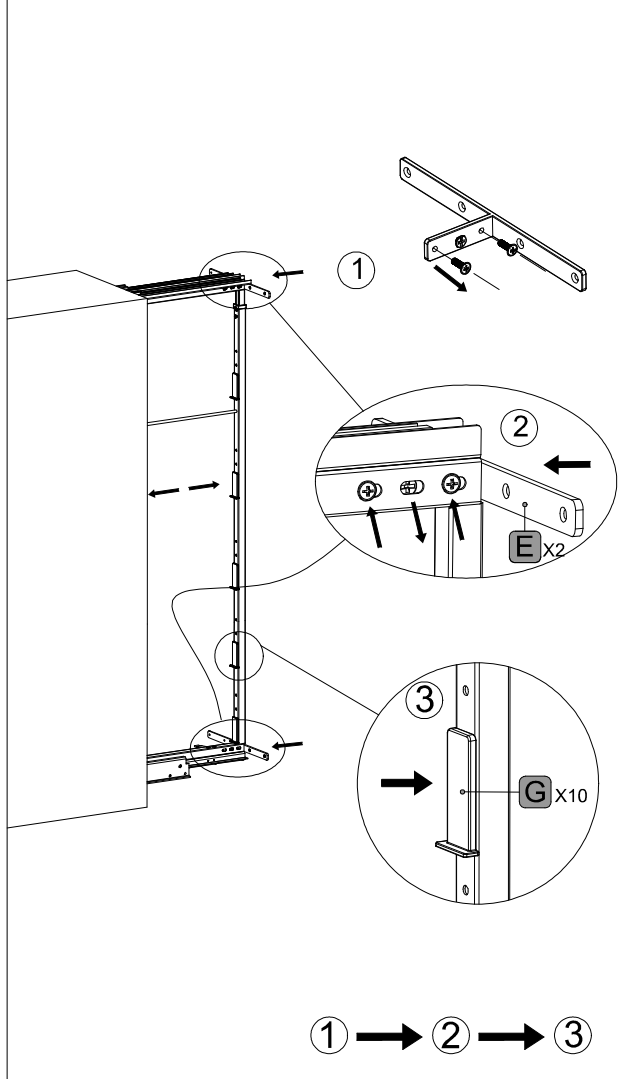
4



mm 5



mm



6



mm

